

Scrubber AR-S5

Parts manual

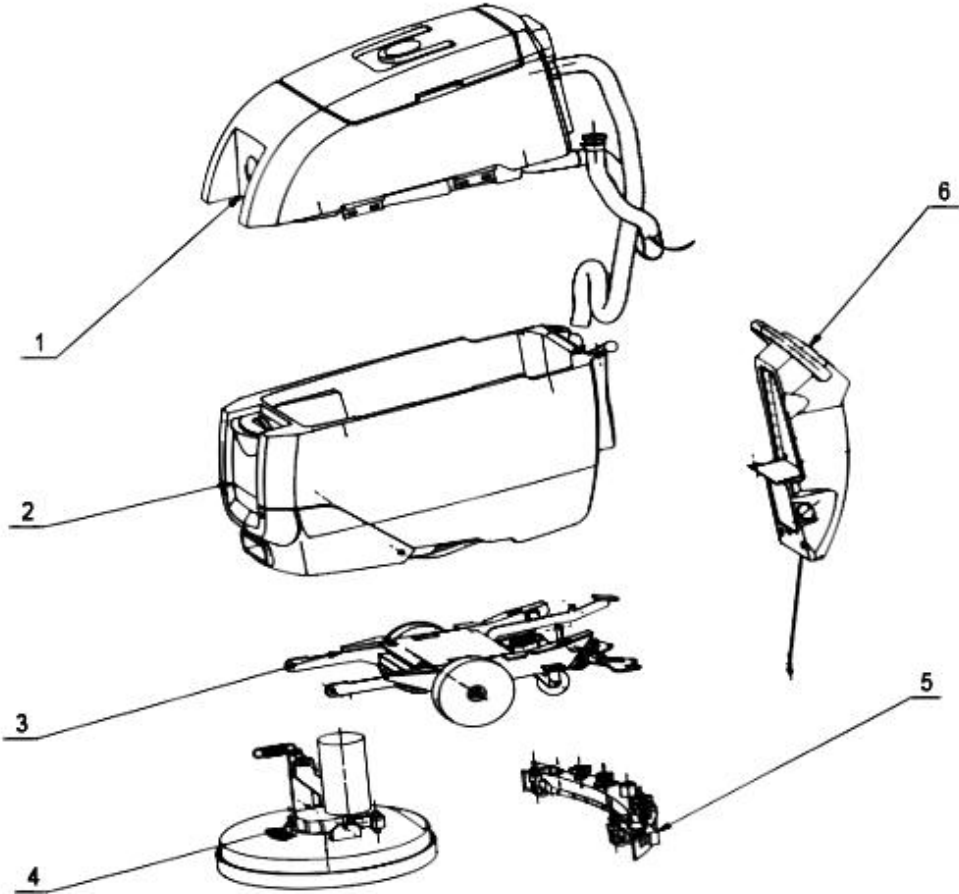


Version.2019-9

Contents

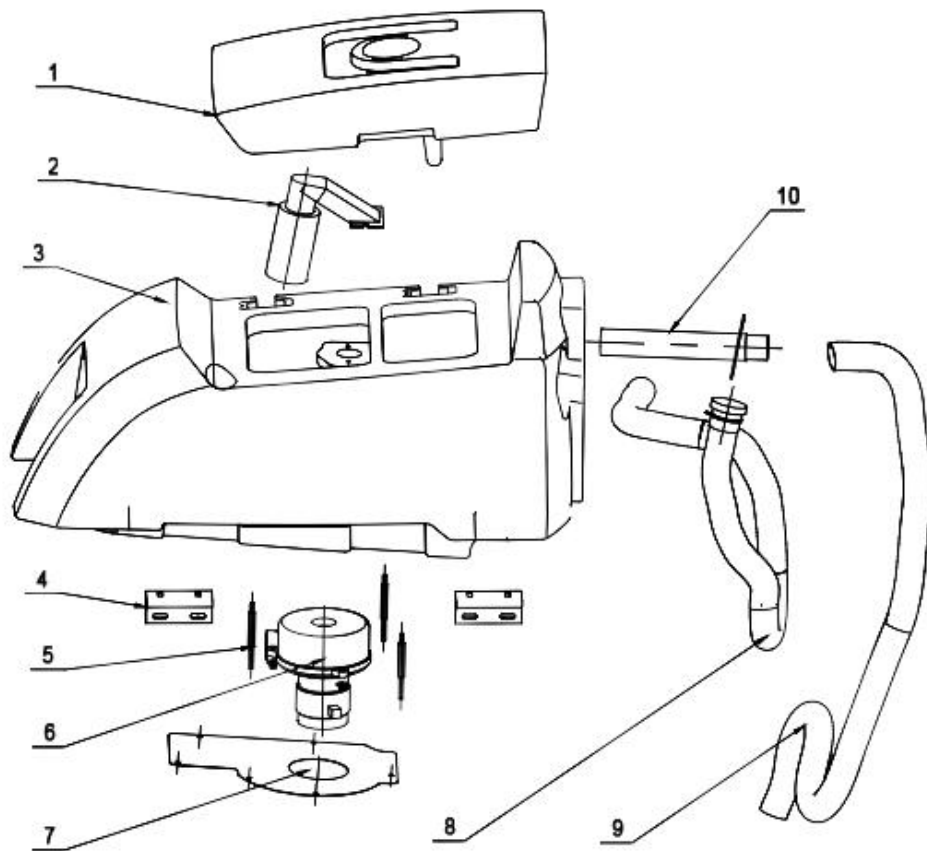
AR-S5 structure.....	2
Recovery tanker assembly.....	3
Water tank assembly.....	4
Frame system.....	6
Brush assembly.....	7
Squeegee assembly.....	9
Pushing handle assembly	11

Fig.1 AR-S5 structure



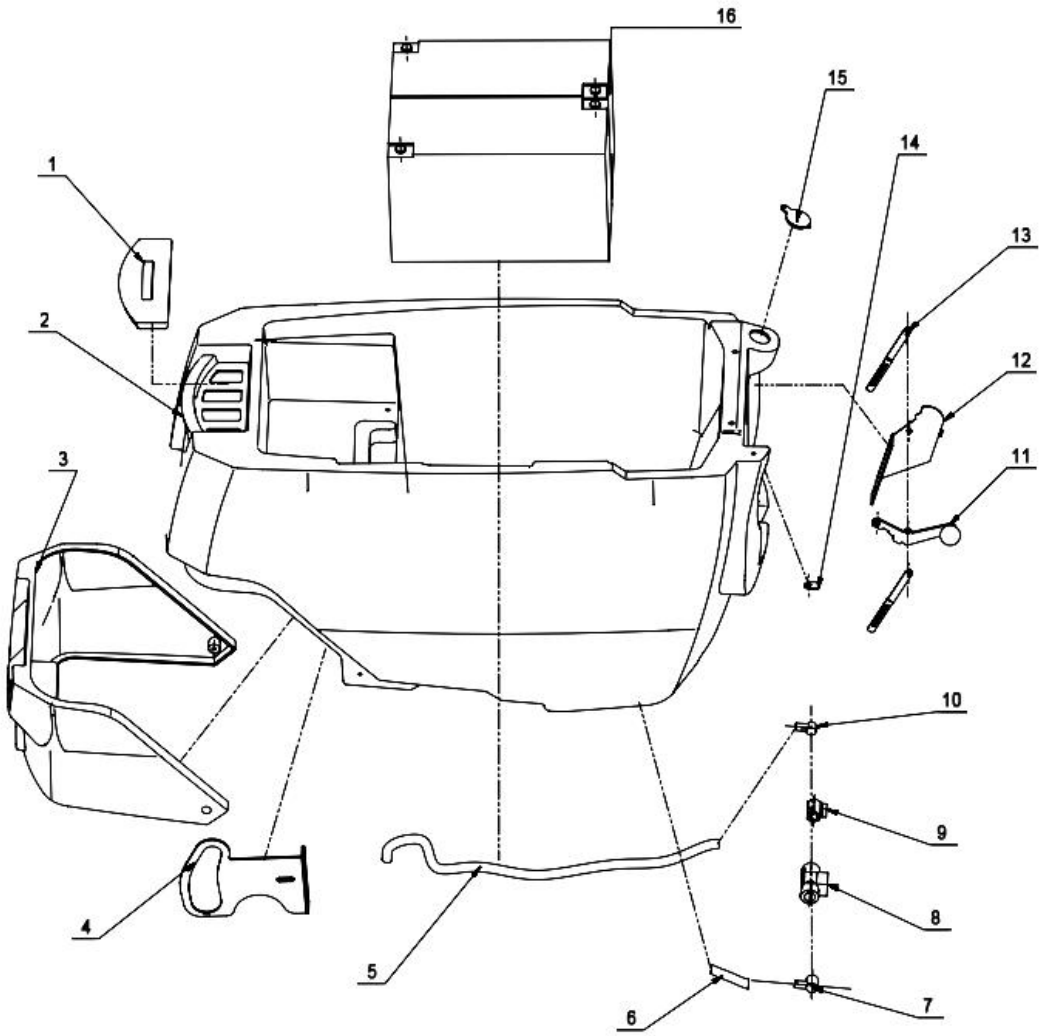
Item	Part No.	Part Name	Qty.	Remarks
1	6501230600	Recovery tank assembly	1	
2	6501230700	Water tank assembly	1	
3	6501230200	Frame system	1	
4	6501230300	Brush assembly.	1	
5	6501230800	Squeegee assembly	1	
6	6501231400	Push handle assembly	1	

Fig.2 Recovery tanker assembly



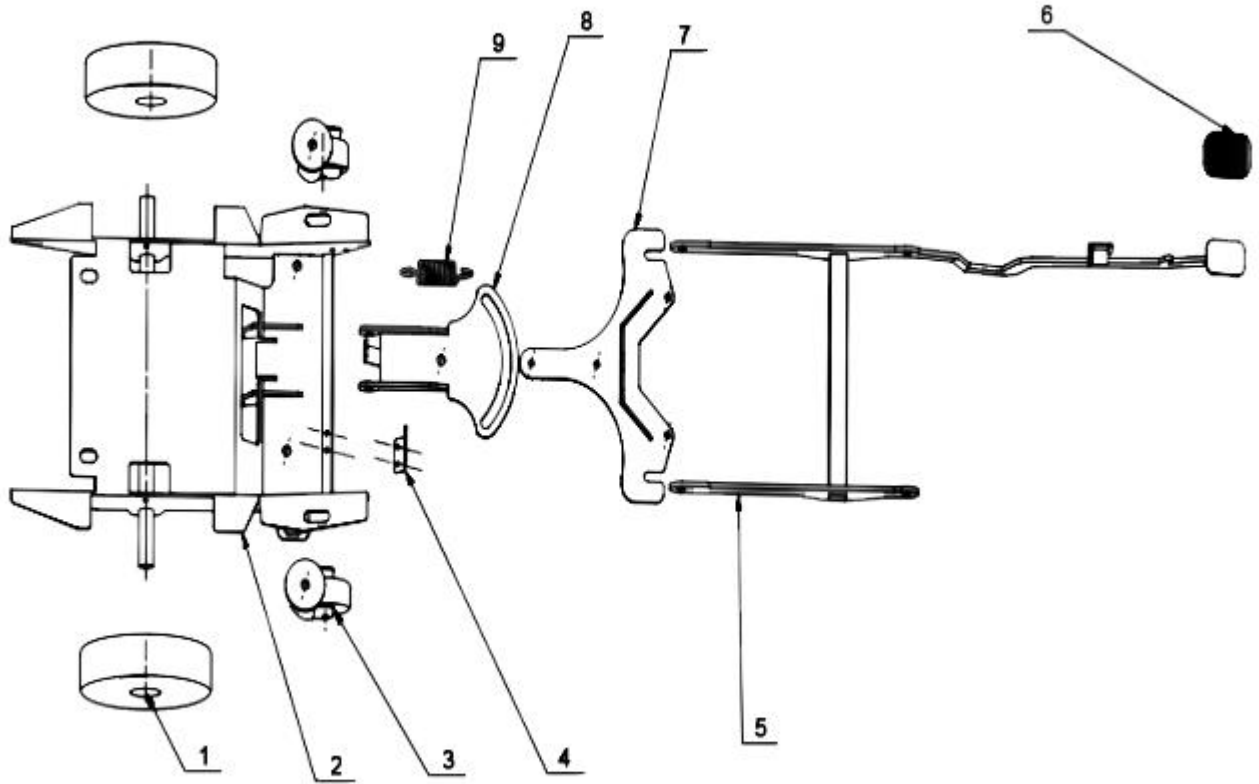
Item	Part No.	Part Name	Qty.	Remarks
1	6501230601	Recovery tank cover	1	
2	6501230602	Overflow net	1	
3	6501230603	Recovery tank	1	
4	6501230604	Hinge	1	
5	6501230605	Screw	3	
6	6501230606	vacuum motor	1	
7	6501230607	Pump motor cover	1	
8	6501230608	Discharge pipe	1	
9	6501230609	Suction pipe	1	
10	6501230610	Water inlet	1	

Fig.3 Water tank assembly



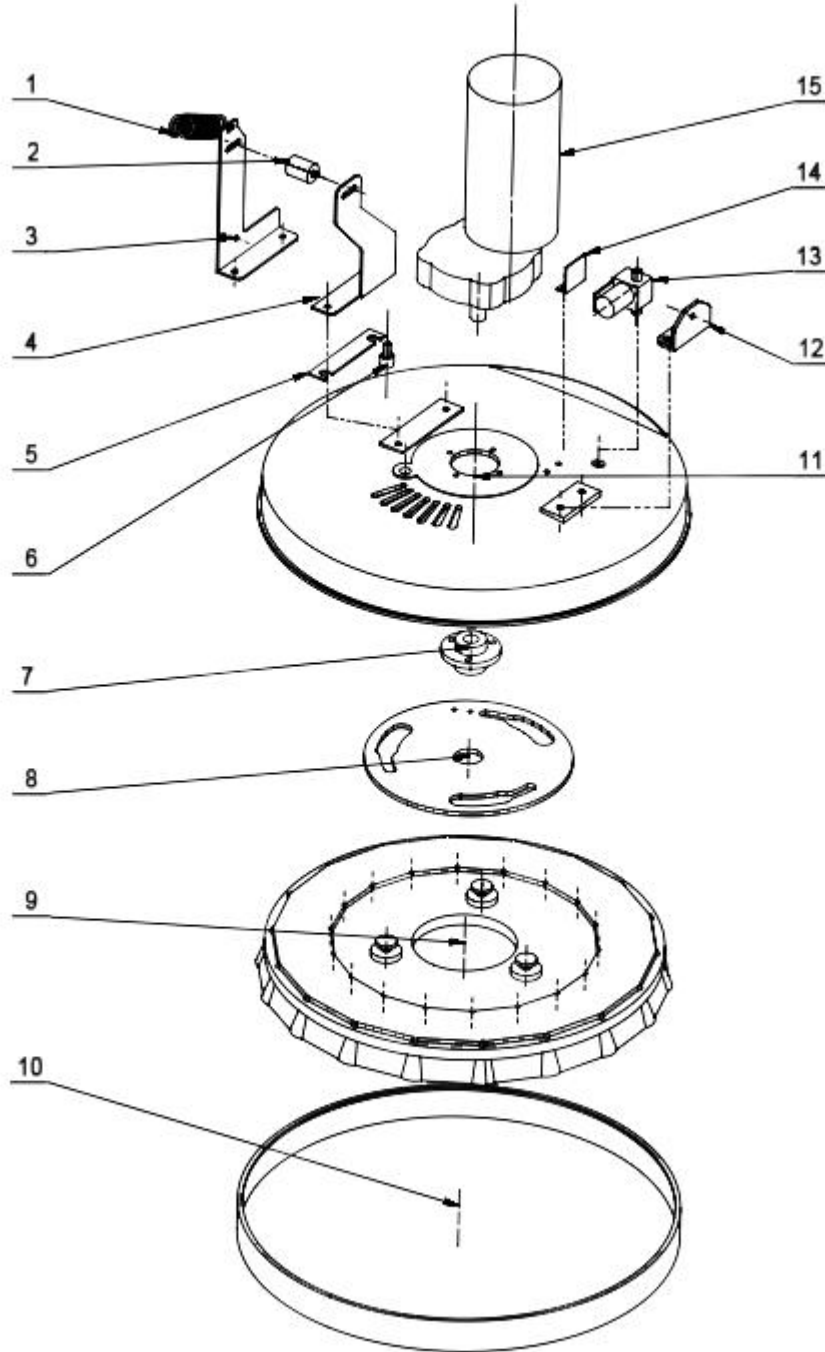
Item	Part No.	Part Name	Qty.	Remarks
1	6501230701	Water inlet cover	1	
2	6501230702	Inlet filter net	1	
3	6501230703	Front cover	1	
4	6501230704	Bracket	1	
5	6501230705	Water pipe	1	
6	6501230706	Water filter net seat	1	
7	6501230707	Copper pipe	1	
8	6501230708	Water filter net	1	
9	6501230709	Water valve	1	
10	6501230710	Copper pipe	1	
11	6501230711	Pressure lifting yoke	1	
12	6501230712	Pressure lifting bracket	1	
13	6501230713	Pressure plate	2	
14	6501230714	Joint	1	
15	6501230715	Small water inlet	1	
16	6501230716	Battery	2	

Fig.4 Frame system



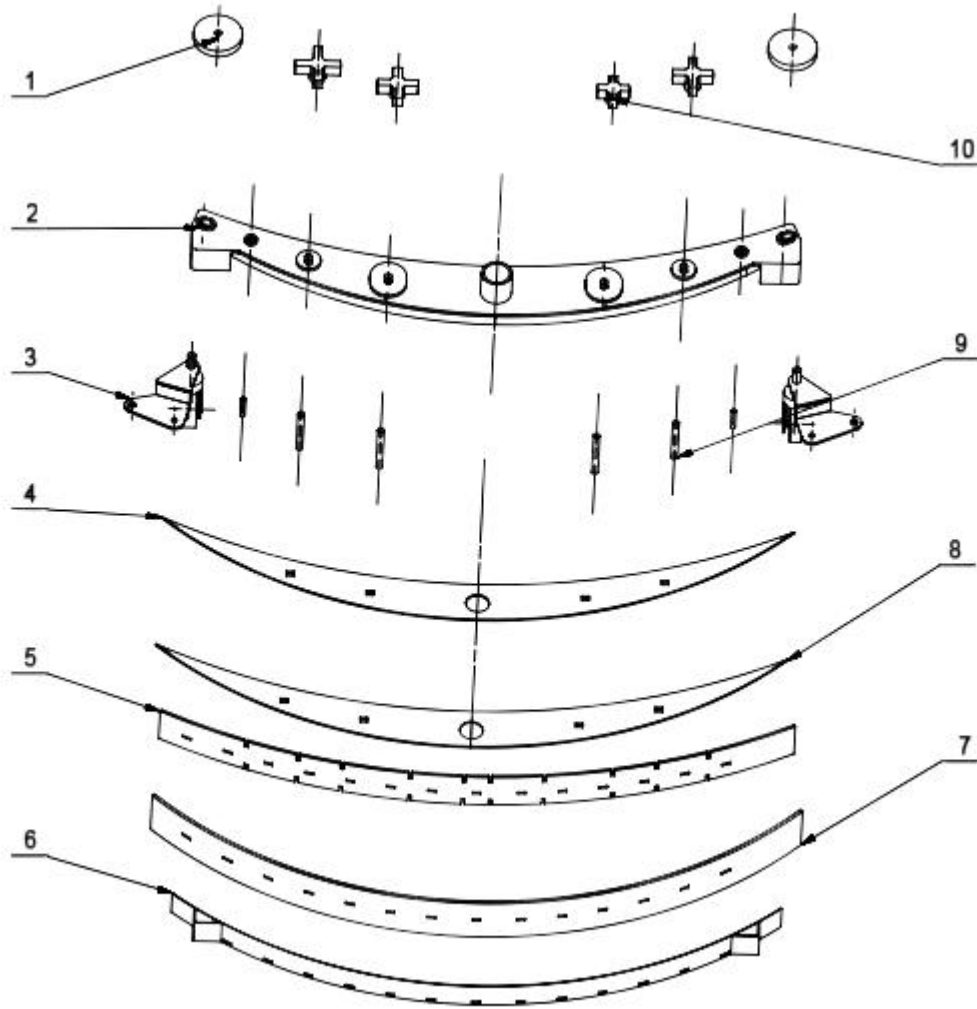
Item	Part No.	Part Name	Qty.	Remarks
1	6501230201	Main wheel	1	
2	6501230202	Frame	1	
3	6501230203	Caster wheel	1	
4	6501230204	Bracket	1	
5	6501230205	Brush lifting lever	1	
6	6501230206	Pedal rubber	1	
7	6501230207	Squeegee fix bracket	1	
8	6501230208	Squeegee slide bracket	1	
9	6501230209	Pressure spring	1	

Fig.5 Brush assembly



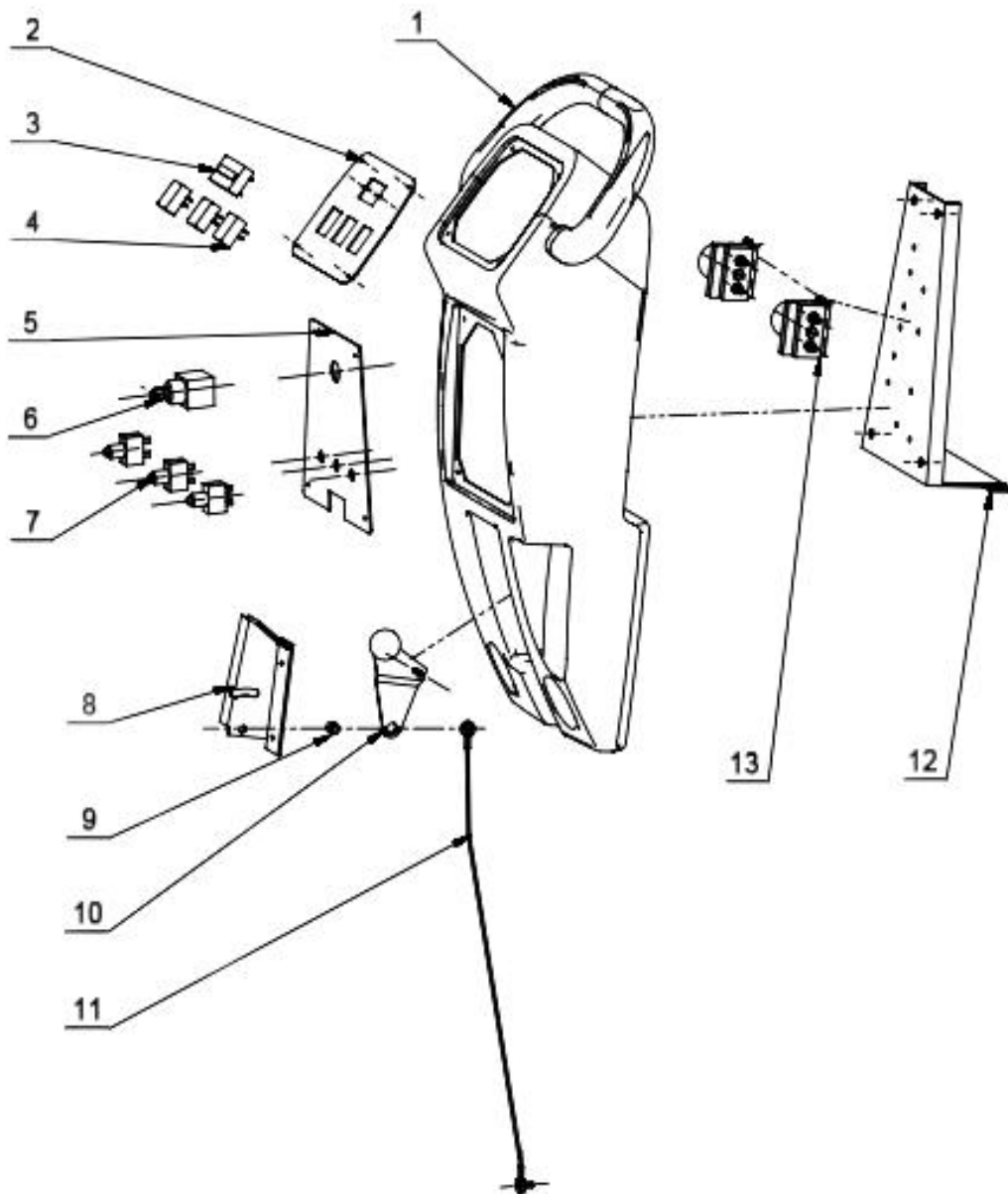
Item	Part No.	Part Name	Qty.	Remarks
1	6501230301	Brush shocking absorb spring	1	
2	6501230302	Adjustable block	1	
3	6501230303	Left brush bracket	1	
4	6501230304	Right brush bracket	1	
5	6501230305	Brush plate	1	
6	6501230306	Screw	1	
7	6501230307	Flange	1	
8	6501230308	Connect sheet	1	
9	6501230309	Brush	1	
10	6501230310	Round water fender	1	
11	6501230311	Brush plate cover	1	
12	6501230312	Brush plate bracket	1	
13	6501230313	Solenoid valve	1	
14	6501230314	Solenoid valve bracket	1	
15	6501230315	Brush motor	1	

Fig.6 Squeegee assembly



Item	Part No.	Part Name	Qty.	Remarks
1	6501230801	Fender wheel	1	
2	6501230802	Squeegee bracket	1	
3	6501230803	Squeegee support bracket	1	
4	6501230804	Upper iron sheet	1	
5	6501230805	Front rubber	1	
6	6501230806	Front rubber strip	1	
7	6501230807	Rear rubber	1	
8	6501230808	Bottom Iron Sheet	1	
9	6501230809	Bolt	1	
10	6501230810	Cross Nut	1	

Fig.7 Pushing handle assembly



Item	Part No.	Part Name	Qty.	Remarks
1	6501231401	Pushing handle box	1	
2	6501231402	Upper control board	1	
3	6501231403	Battery indicator	1	
4	6501231404	Power button	3	
5	6501231405	Bottom control board	1	
6	6501231406	Key switch	1	
7	6501231407	Fuse	3	
8	6501231408	Lifting yoke bracket	1	
9	6501231409	Screw	1	
10	6501231410	Lifting yoke slider	1	
11	6501231411	Squeegee cable	1	
12	6501231412	PCB board bracket	1	
13	6501231413	DC contactor	2	