

# Scrubber AR-S5D

## Parts manual



Version.2019-9

## Contents

**AR-S5D structure.....2**

**Recovery tanker assembly.....3**

**Water tank assembly.....4**

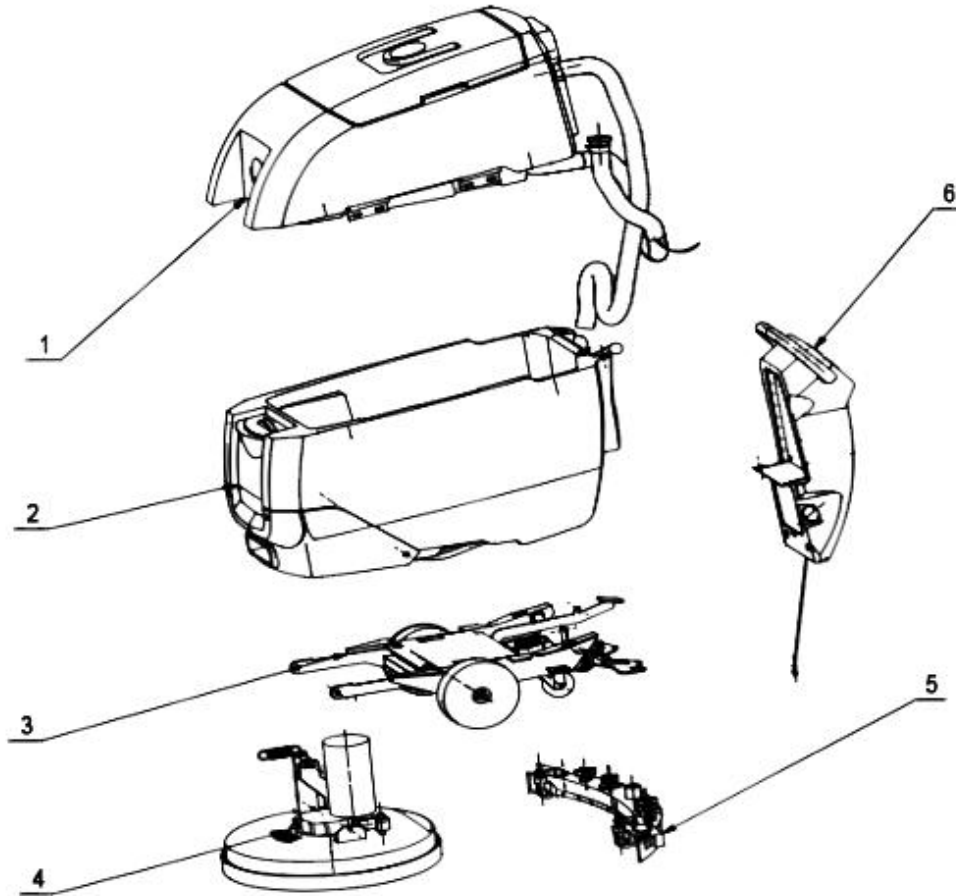
**Frame system.....6**

**Brush assembly.....7**

**Squeegee assembly.....9**

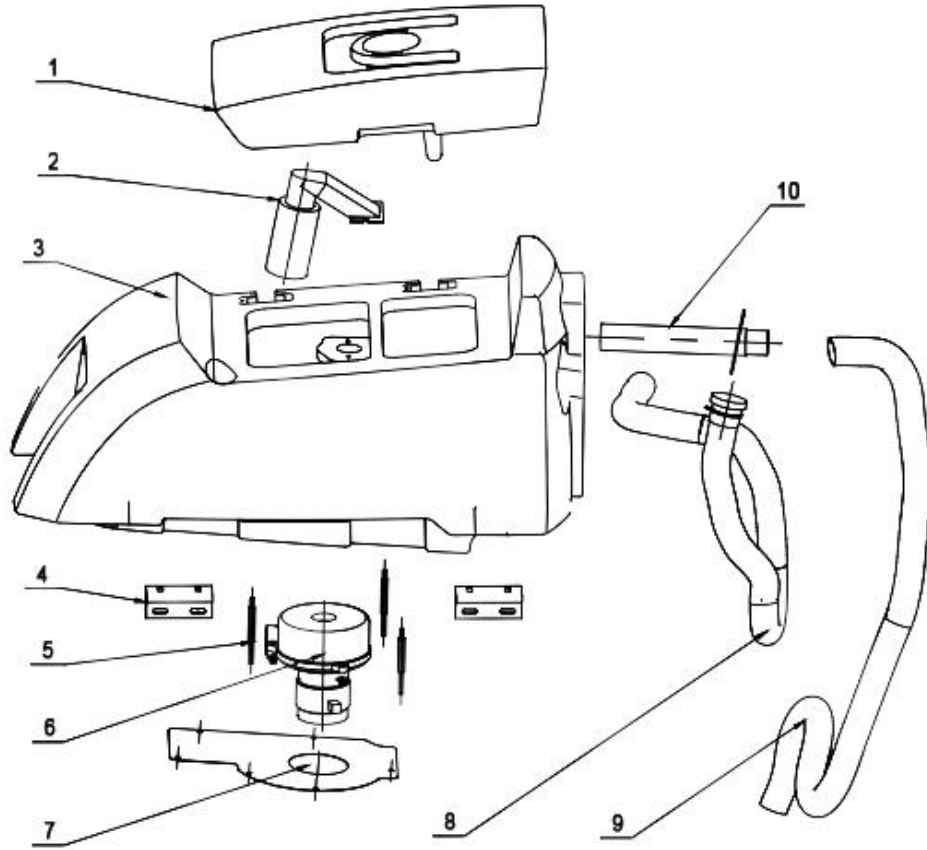
**Pushing handle assembly .....11**

Fig.1 AR-S5 structure



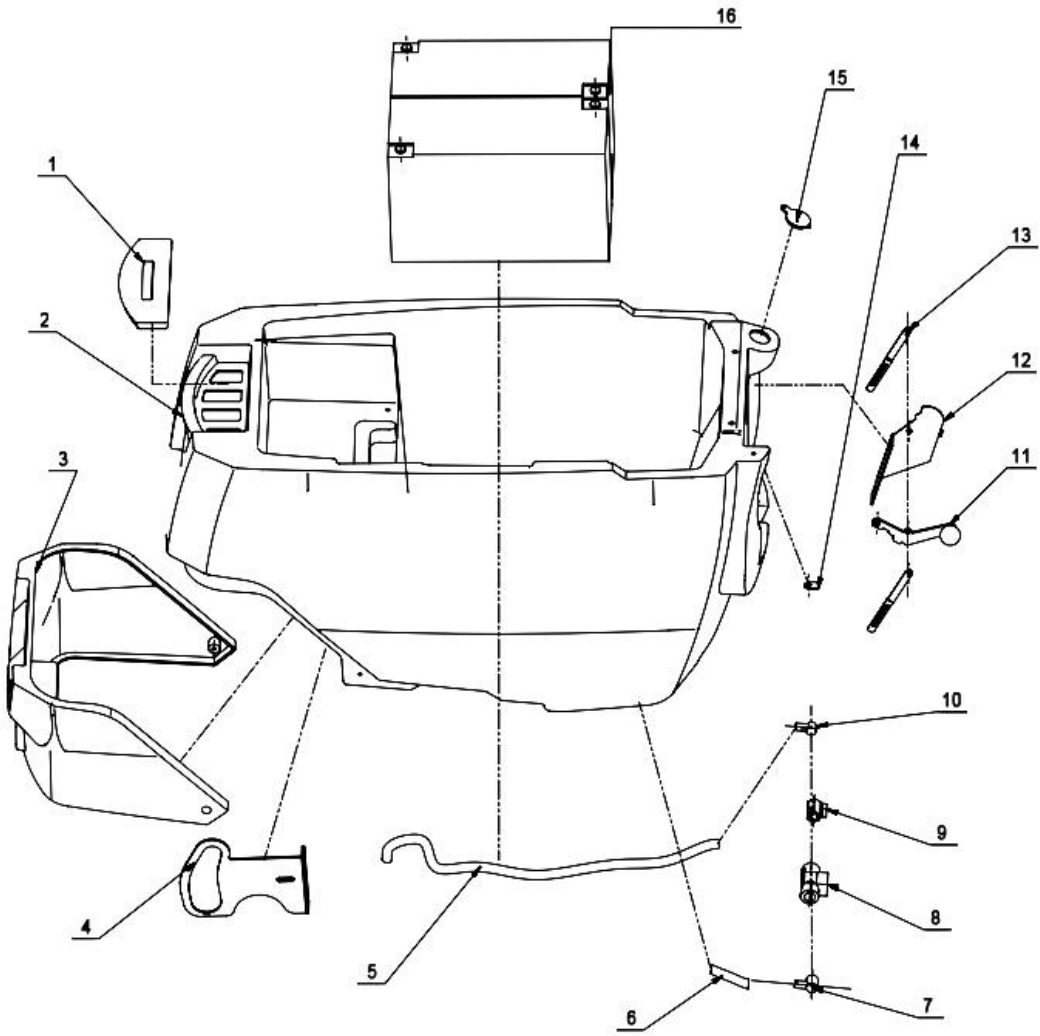
Item	Part No.	Part Name	Qty.	Remarks
1	6501230600	Recovery tank assembly	1	
2	6501230700	Water tank assembly	1	
3	6501230200	Frame system	1	
4	6501230300	Brush assembly.	1	
5	6501230800	Squeegee assembly	1	
6	6501231400	Push handle assembly	1	

Fig.2 Recovery tanker assembly



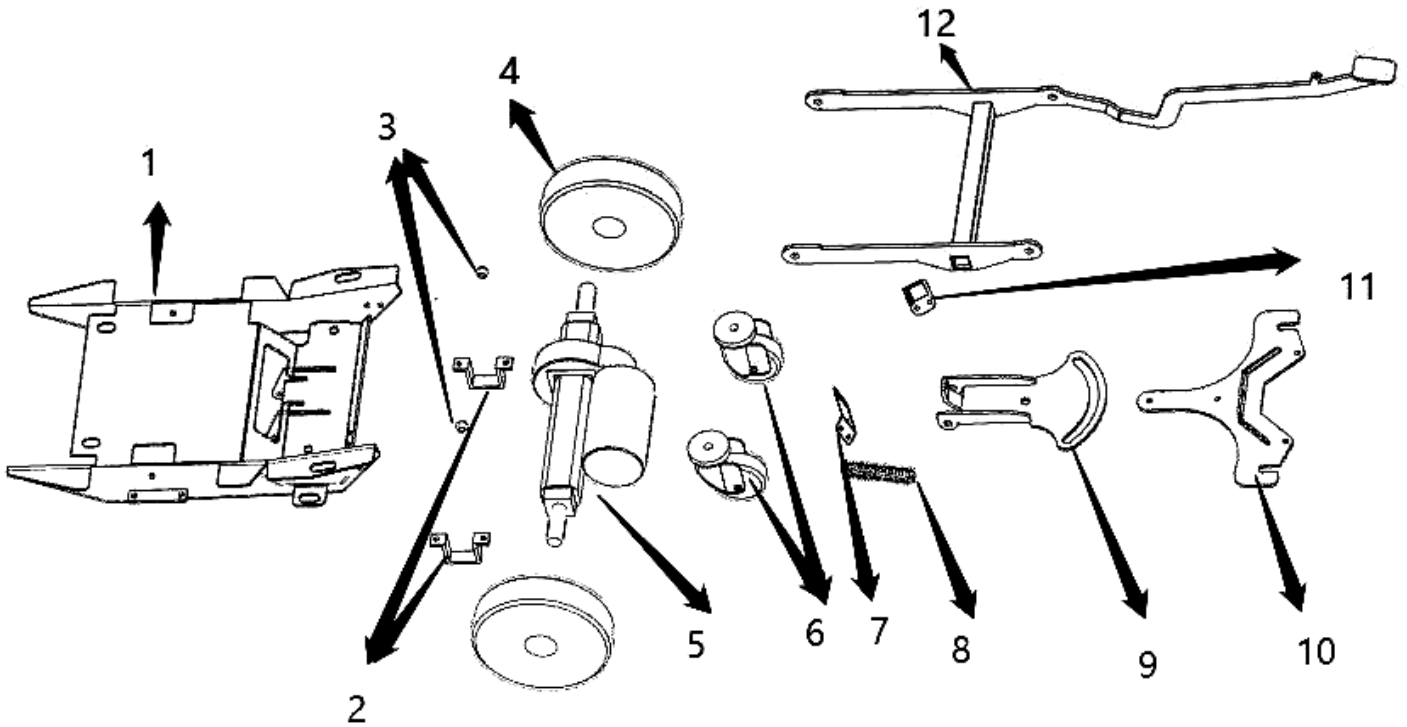
Item	Part No.	Part Name	Qty.	Remarks
1	6501230601	Recovery tank cover	1	
2	6501230602	Overflow net	1	
3	6501230603	Recovery tank	1	
4	6501230604	Hinge	1	
5	6501230605	Screw	3	
6	6501230606	Suction motor	1	
7	6501230607	Pump motor cover	1	
8	6501230608	Discharge pipe	1	
9	6501230609	Suction pipe	1	
10	6501230610	Water inlet	1	

Fig.3 Water tank assembly



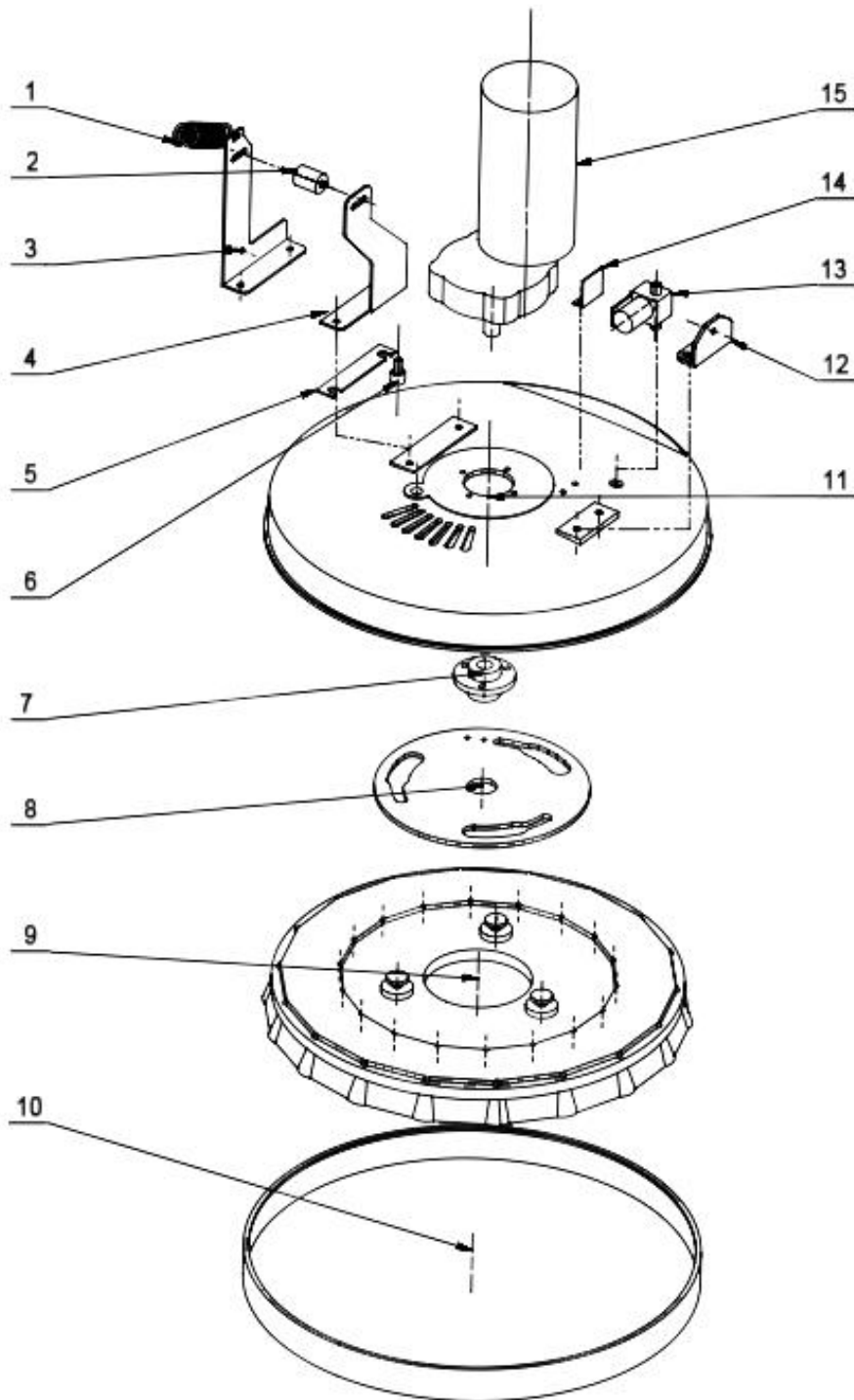
<b>Item</b>	<b>Part No.</b>	<b>Part Name</b>	<b>Qty.</b>	<b>Remarks</b>
1	6501230701	Water inlet cover	1	
2	6501230702	Inlet filter net	1	
3	6501230703	Front cover	1	
4	6501230704	Bracket	1	
5	6501230705	Water pipe	1	
6	6501230706	Water filter net seat	1	
7	6501230707	Copper pipe	1	
8	6501230708	Water filter net	1	
9	6501230709	Water valve	1	
10	6501230710	Copper pipe	1	
11	6501230711	Pressure lifting yoke	1	
12	6501230712	Pressure lifting bracket	1	
13	6501230713	Pressure plate	2	
14	6501230714	Joint	1	
15	6501230715	Small water inlet	1	
16	6501230716	Battery	2	

Fig.4 Frame system



Item	Part No.	Part Name	Qty.	Remarks
1	6501230251	Frame	1	
2	6501230252	Drive motor fixed gasket	2	
3	6501230253	Motor fixed screw	2	
4	6501230254	Drive wheel	1	
5	6501230255	Drive motor	1	
6	6501230256	Caster	2	
7	6501230257	Water net bracket	1	
8	6501230258	Spring	1	
9	6501230259	Squeegee fixed bracket	1	
10	6501230260	Squeegee adjustable bracket	1	
11	6501230261	Buckle	1	
12	6501230262	Lift lever	1	

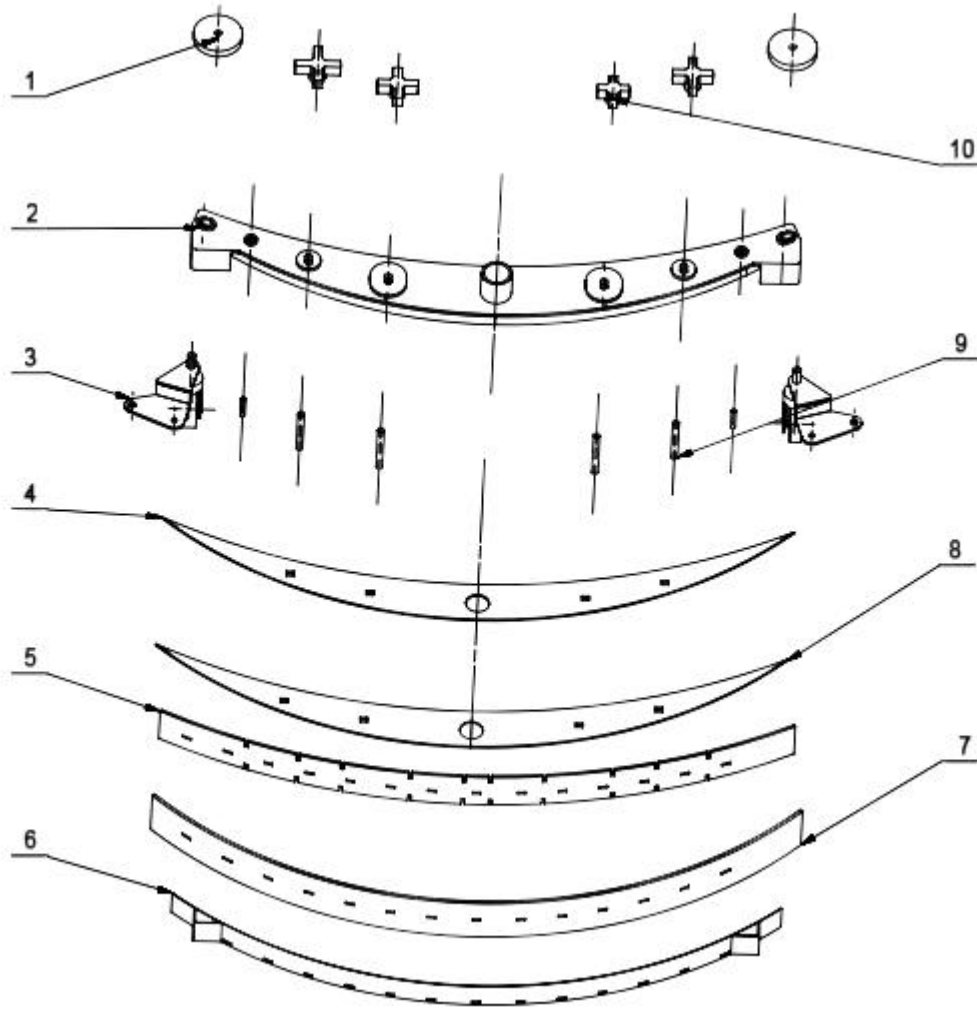
Fig.5 Brush assembly





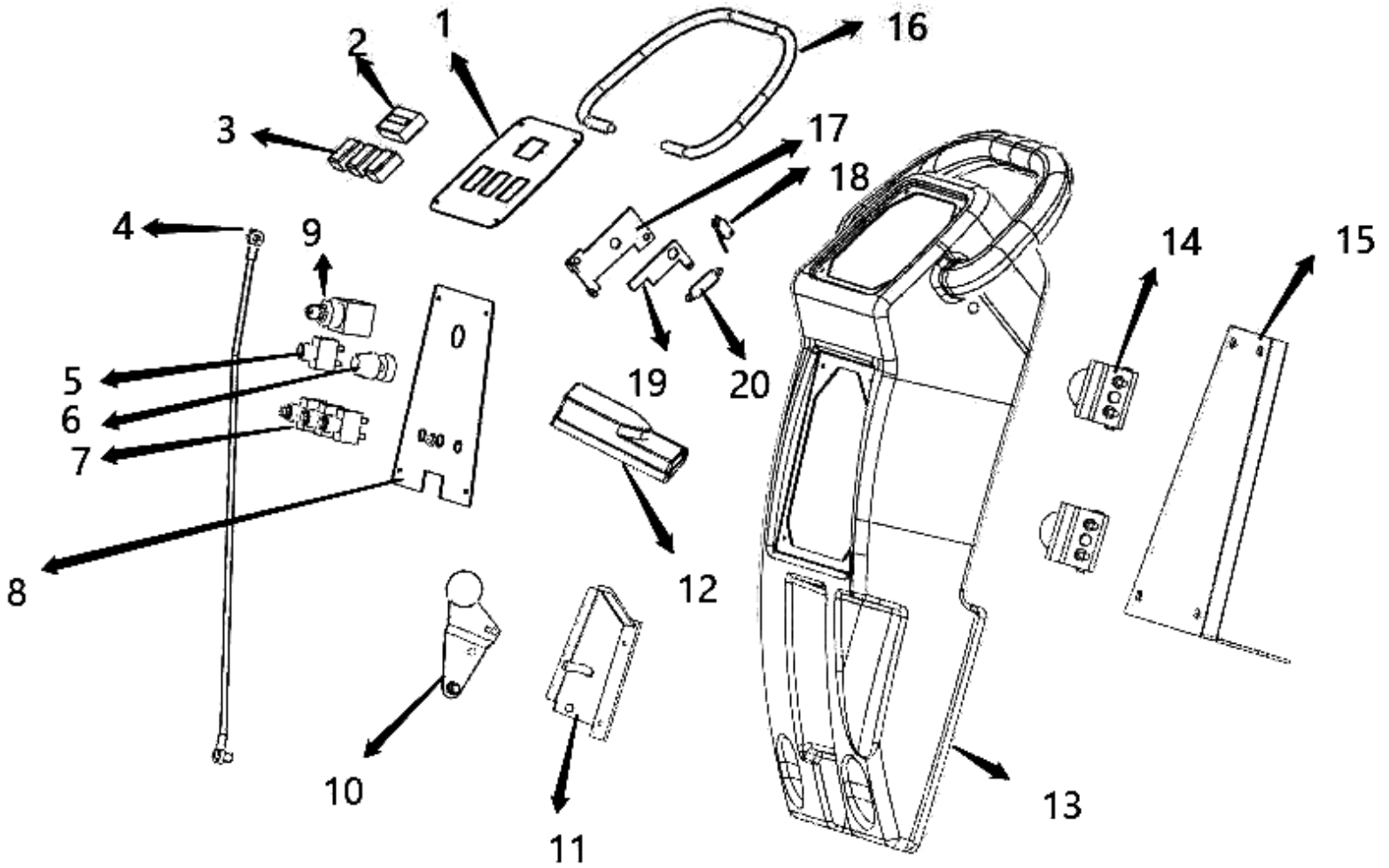
Item	Part No.	Part Name	Qty.	Remarks
1	6501230301	Brush shocking absorb spring	1	
2	6501230302	Adjustable block	1	
3	6501230303	Left brush bracket	1	
4	6501230304	Right brush bracket	1	
5	6501230305	Brush plate	1	
6	6501230306	Screw	1	
7	6501230307	Flange	1	
8	6501230308	Connect sheet	1	
9	6501230309	Brush	1	
10	6501230310	Round water fender	1	
11	6501230311	Brush plate cover	1	
12	6501230312	Brush plate bracket	1	
13	6501230313	Solenoid valve	1	
14	6501230314	Solenoid valve bracket	1	
15	6501230315	Brush motor	1	

Fig.6 Squeegee assembly



Item	Part No.	Part Name	Qty.	Remarks
1	6501230801	Fender wheel	1	
2	6501230802	Squeegee bracket	1	
3	6501230803	Squeegee support bracket	1	
4	6501230804	Upper iron sheet	1	
5	6501230805	Front rubber	1	
6	6501230806	Front rubber strip	1	
7	6501230807	Rear rubber	1	
8	6501230808	Bottom Iron Sheet	1	
9	6501230809	Bolt	1	
10	6501230810	Cross Nut	1	

Fig.7 Pushing handle assembly



Item	Part No.	Part Name	Qty.	Remarks
1	6501231451	Control panel	1	
2	6501231452	Battery indicator	1	
3	6501231453	Button	3	
4	6501231454	Squeegee lift rope	1	
5	6501231455	Directional switch	1	
6	6501231456	Speed switch	1	
7	6501231457	Fuse	3	
8	6501231458	Down control panel	1	
9	6501231459	Key switch	1	
10	6501231460	Slider	1	
11	6501231461	Bracket	1	
12	6501231462	Controller	1	
13	6501231463	Armrest box	1	
14	6501231464	Contactora	2	
15	6501231465	PCB board	1	
16	6501231466	Speed handle switch	1	
17	6501231467	Main speed part	1	
18	6501231468	Acceleration switch	1	
19	6501231469	Slave speed part	1	
20	6501231470	Spring	1	