

PARTS MANUAL

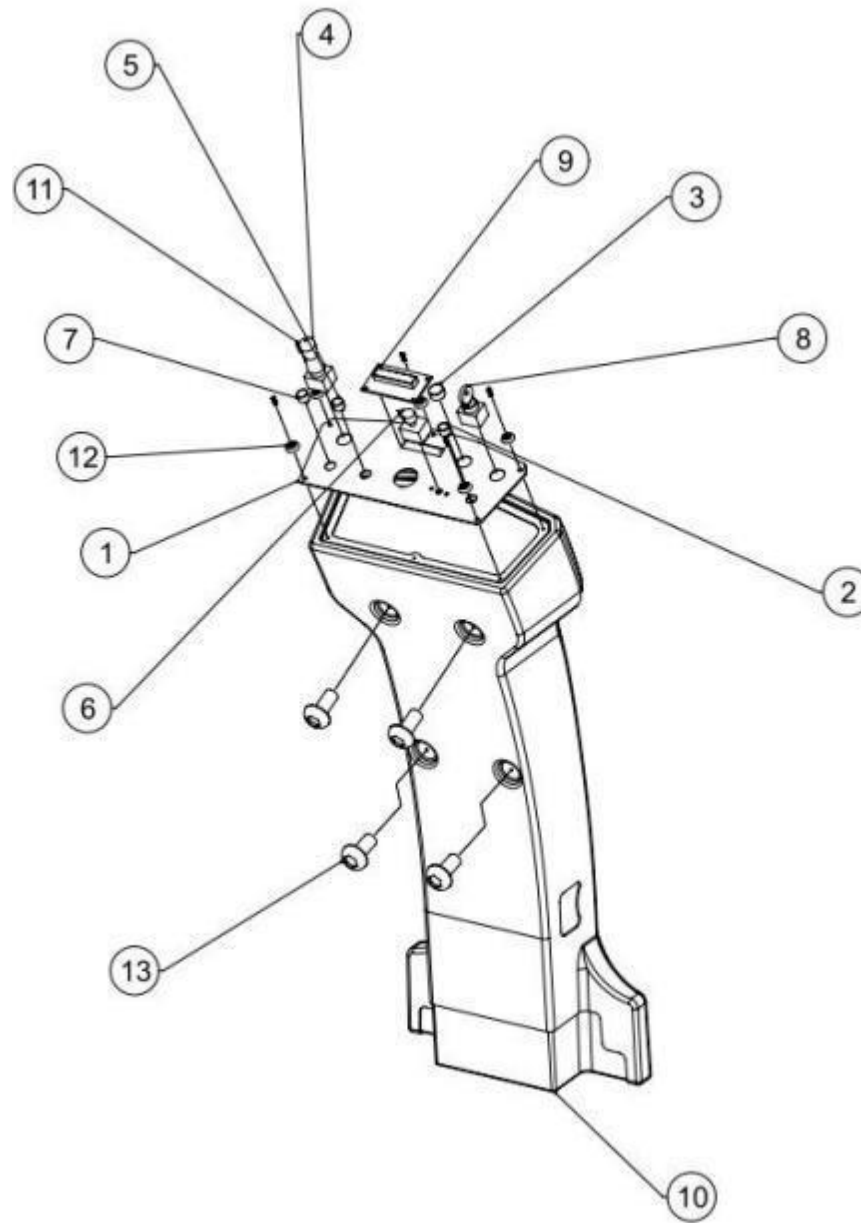


AR-S9

Electric Driving Scrubber

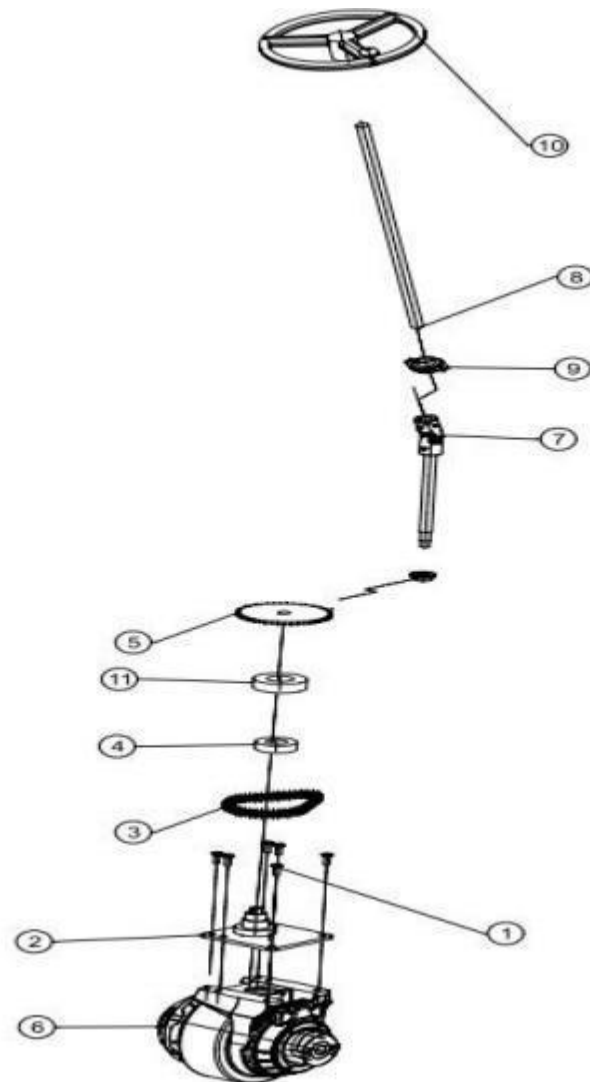


Front components



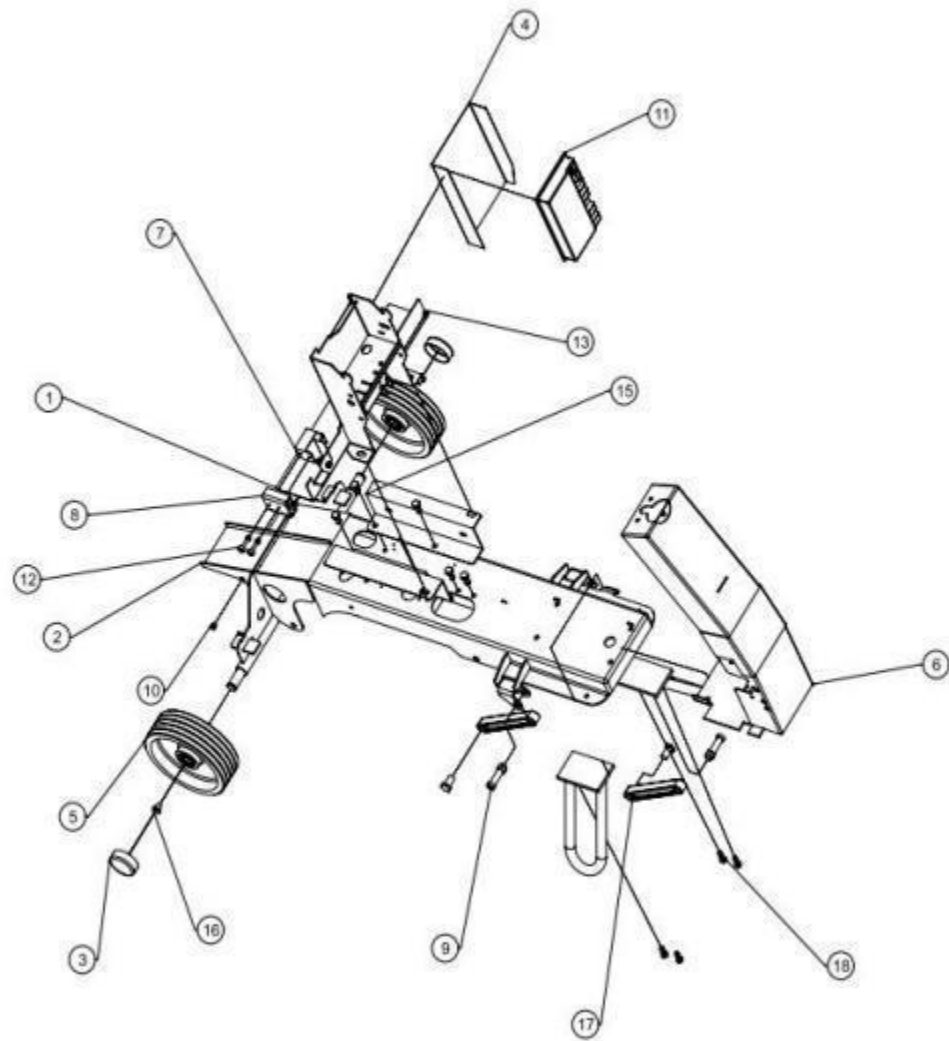
Index	Part No.	Part Name	No.	Applied Date	Remark
1	9402241801	panel	1		
2	9402241802	Water volume adjustment switch	1		
3	9402241803	Energy saving switch	1		
4	9402241804	Forward and backward switches	1		
5	9402241805	Light switch	1		
6	9402241806	Operating mode switch	1		
7	9402241807	Horn switch	1		
8	9402241808	Key switch	1		
9	9402241809	LCD screen	1		
10	9402241810	Plastic rack	1		
11	9402241811	Self- tapping M4x1 0	5		
12	9402241812	Panel screw plastic cap	5		
13	9402241813	Round head hexagon M10 x35	4		

Steering components



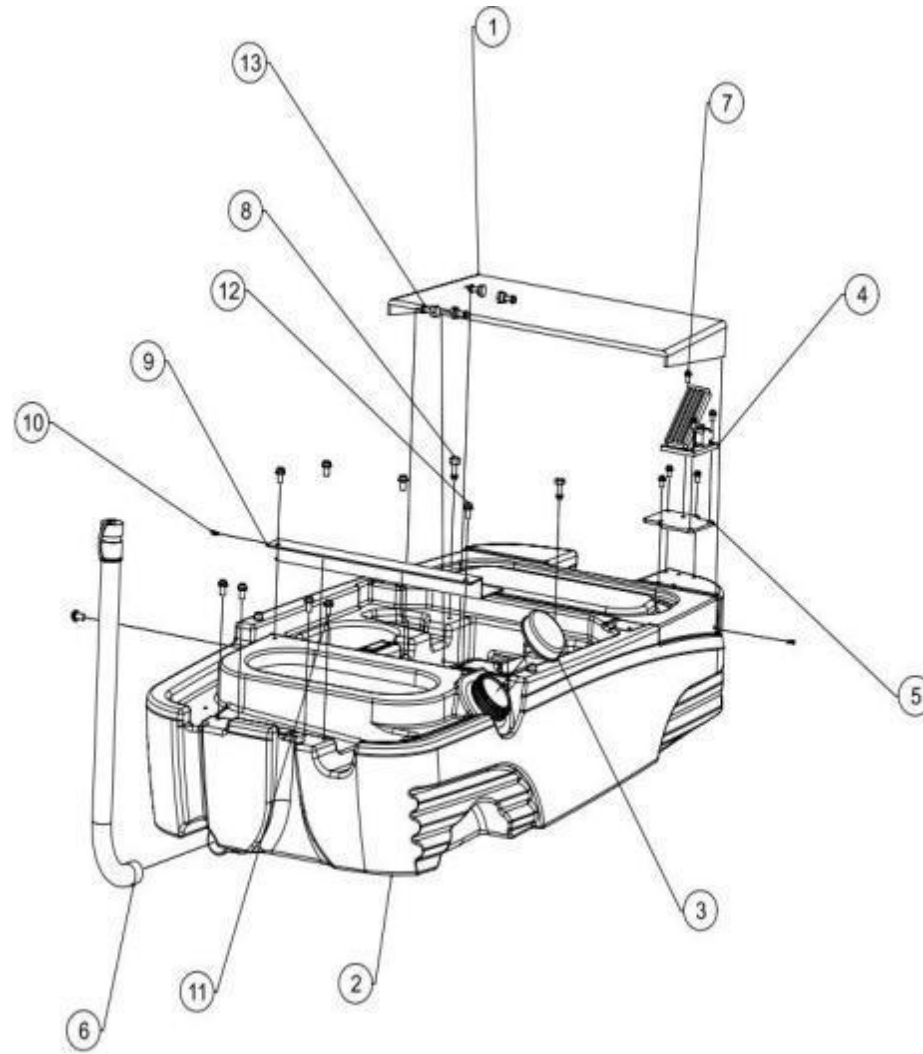
Index	Part No.	Part Name	No.	Applied Date	Remark
1	9402240501	m10x30	6		
2	9402240502	Stand plate	1		
3	9402240503	chain	1		
4	9402240504	Bearing 32209	1		
5	9402240505	cogs	2		
6	9402240506	Motor	1		
7	9402240507	Sleeve	1		
8	9402240508	Long stand	1		
9	9402240509	Steering wheel steering bearings	1		
10	9402240510	steering wheel	1		
11	9402240511	Bearing 366214	1		

Fram



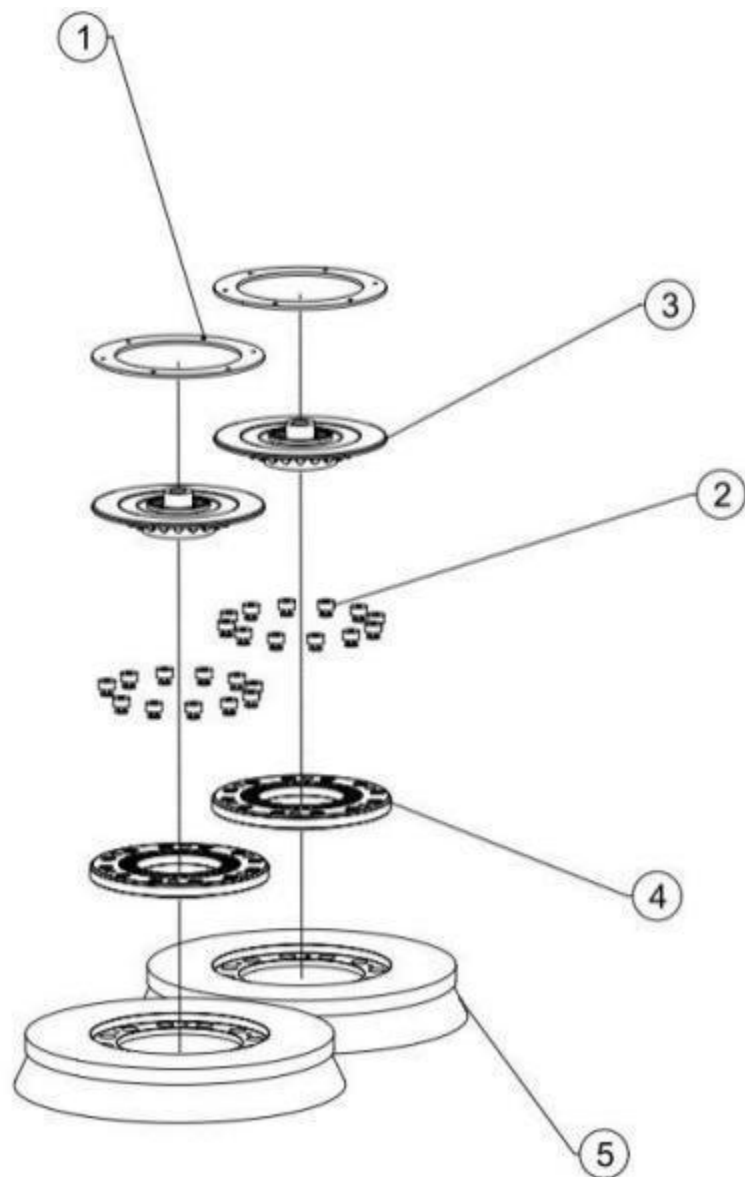
Index	Part No.	Part Name	No.	Applied Date	Remark
1	9402240201	Pusher main frame	1		
2	9402240202	chassis	1		
3	9402240203	Hub caps	2		
4	9402240204	Controller shelf	1		
5	9402240205	Main wheel	2		
6	9402240206	Front main frame	1		
7	9402240207	Plug holder	1		
8	9402240208	Charging plug	1		
9	9402240209	m10x40	4		
10	9402240210	Pin shaft M12x140	1		
11	9402240211	controller	1		
12	9402240212	Allen M6x35	2		
13	9402240213	m6x15	5		
14	9402240214	m10x35	6		
15	9402240215	Fix the bracket	2		
16	9402240216	m8x20	2		
17	9402240217	Movable stand	4		
18	9402240218	m10x30	4		

Clear water tank

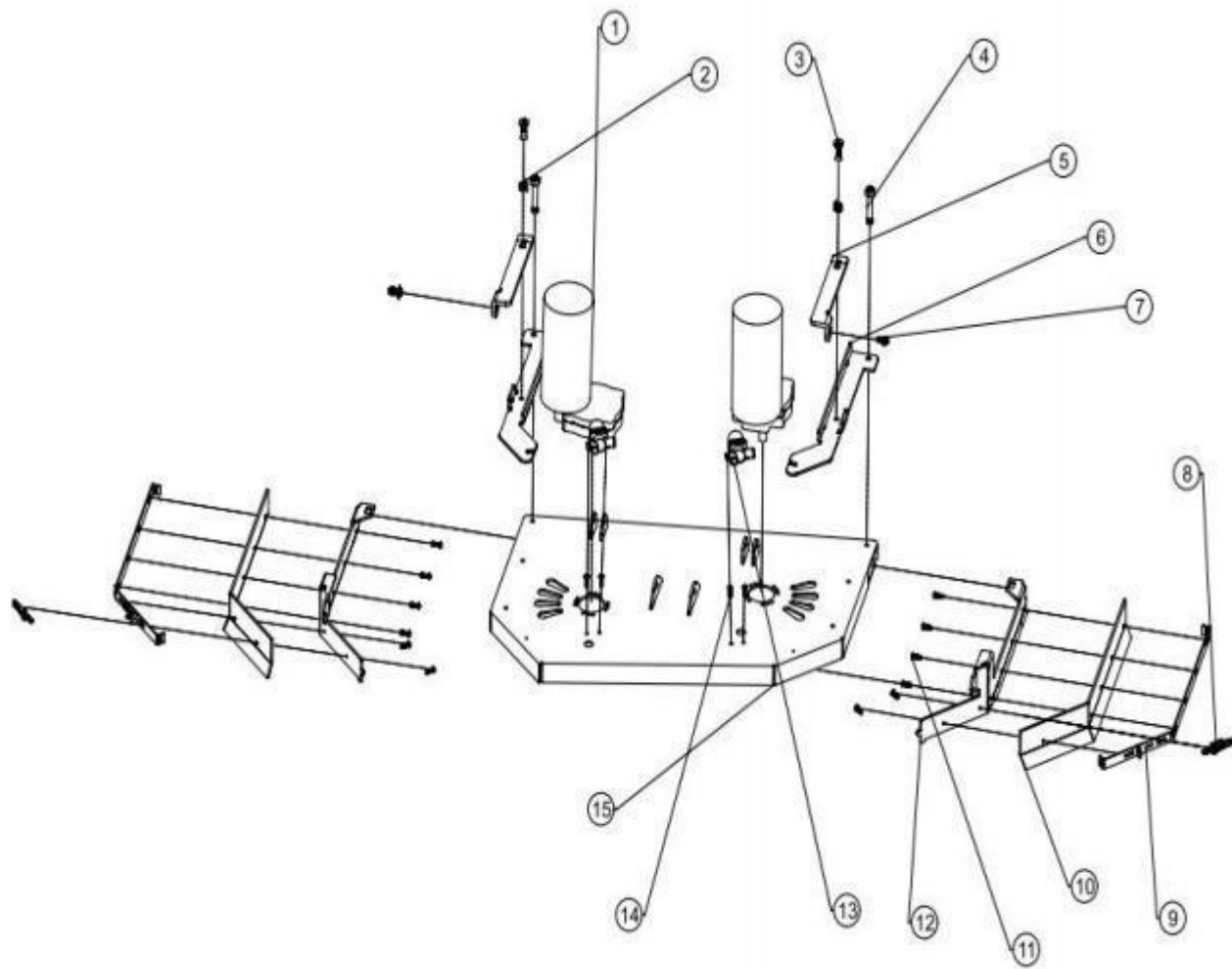


Index	Part No.	Part Name	No.	Applied Date	Remark
1	9402240601	Cover plate	1		
2	9402240602	Clean water tank	1		
3	9402240603	Clean water tank inlet cover	1		
4	9402240604	gas pedal	1		
5	9402240605	Throttle base	1		
6	9402240606	drainpipe	1		
7	9402240607	Round head hexagon M8x1 5	6		
8	9402240608	m10x20	2		
9	9402240609	bracket	1		
10	9402240610	Round head cross M6x1 5	2		
11	9402240611	Round head hexagon M8x25	4		
12	9402240612	Round head hexagon M8x20	5		
13	9402240613	m10x35	4		

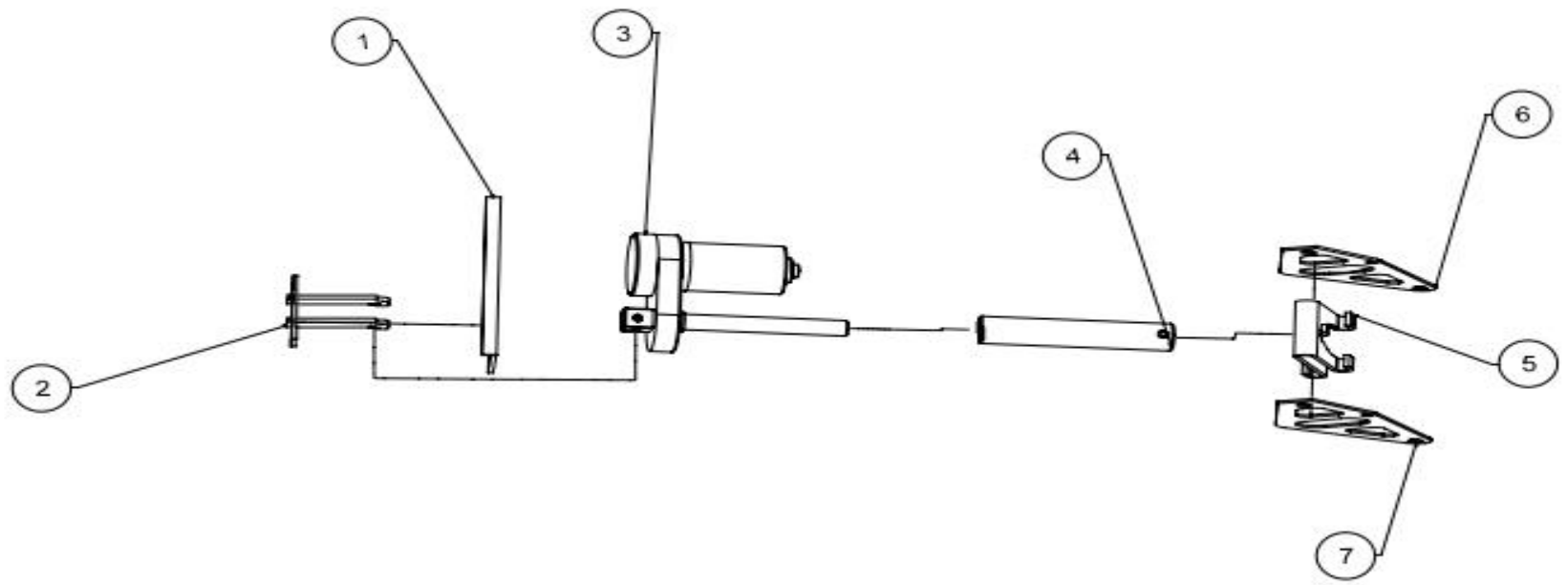
Double brush assembly



Index	Part No.	Part Name	No.	Applied Date	Remark
1	9402240301	Flange connection iron sheet	2		
2	9402240302	Flat cup M5x20 + magnet M6x10	22		
3	9402240303	Magnetic flange	2		
4	9402240304	flange	2		
5	9402240305	Brush disc	2		

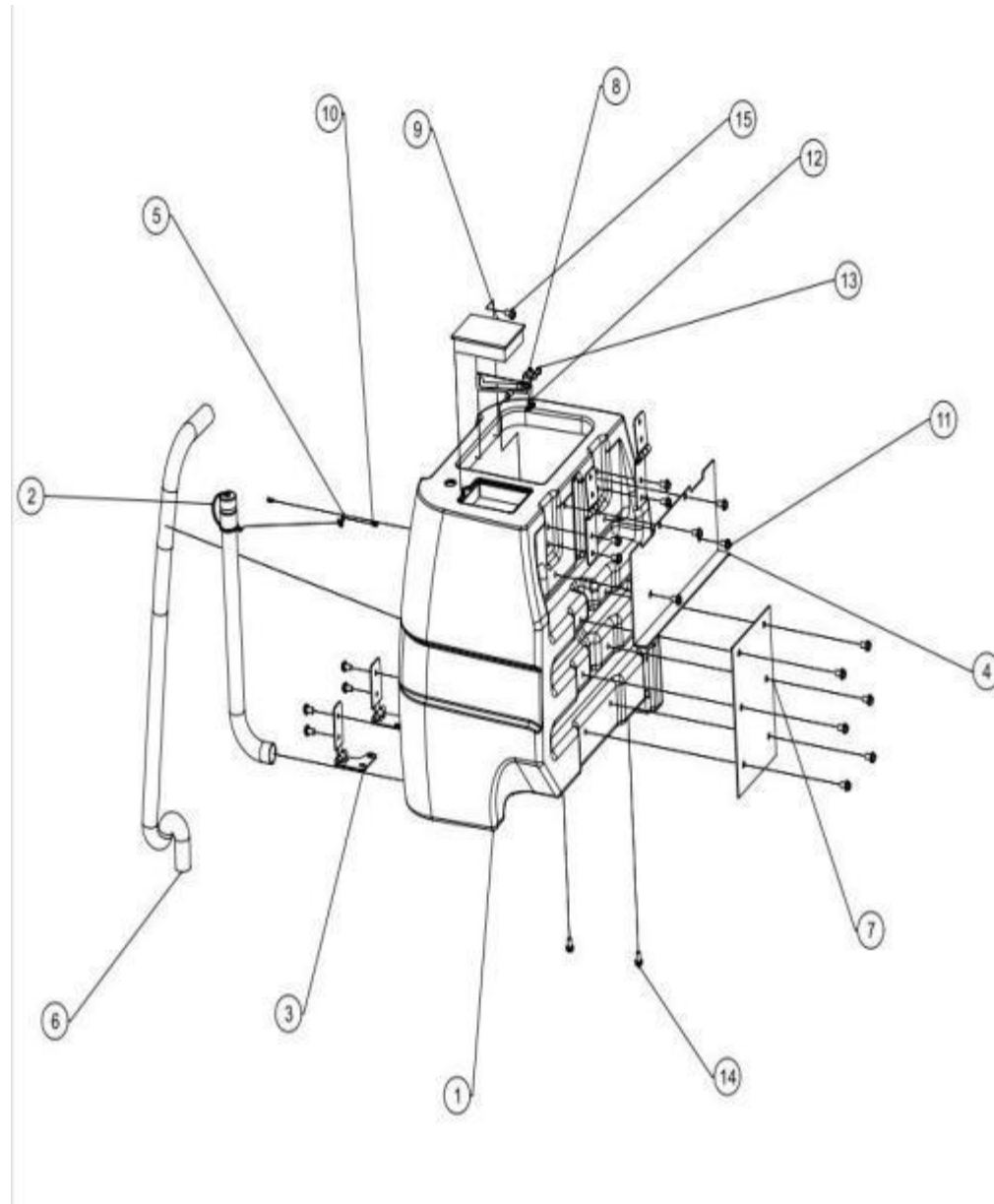


Index	Part No.	Part Name	No.	Applied Date	Remark
1	9402240306	Brush plate motor	2		
2	9402240307	spring	2		
3	9402240308	m8x35	2		
4	9402240309	m8x80	2		
5	9402240310	Fix the bracket sub- plate	2		
6	9402240311	Fix the bracket	2		
7	9402240312	m8x25	2		
8	9402240313	Pressure strip elastic switch	2		
9	9402240314	Rubber stripping	2		
10	9402240315	Rubber	2		
11	9402240316	m6x25	12		
12	9402240317	Rubber bracket	2		
13	9402240318	Solenoid valves	2		
14	9402240319	Round head cross M6x20	4		
15	9402240320	Brush disc cover	1		

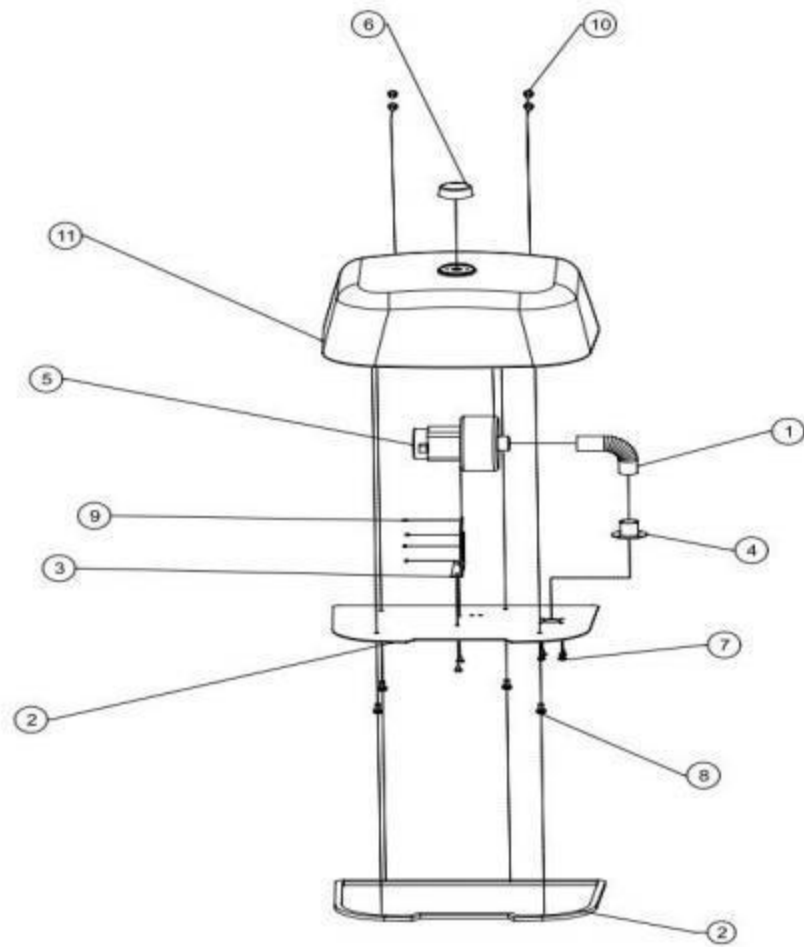


Index	Part No.	Part Name	No.	Applied Date	Remark
1	9402240320	Bracket	1		
2	9402240321	Bracket	1		
3	9402240322	Lifting motor	1		
4	9402240323	Lifting motor bushing	1		
5	9402240324	bracket	1		
6	9402240325	Movable bracket	1		
7	9402240326	Movable bracket	1		

Sewage tank components

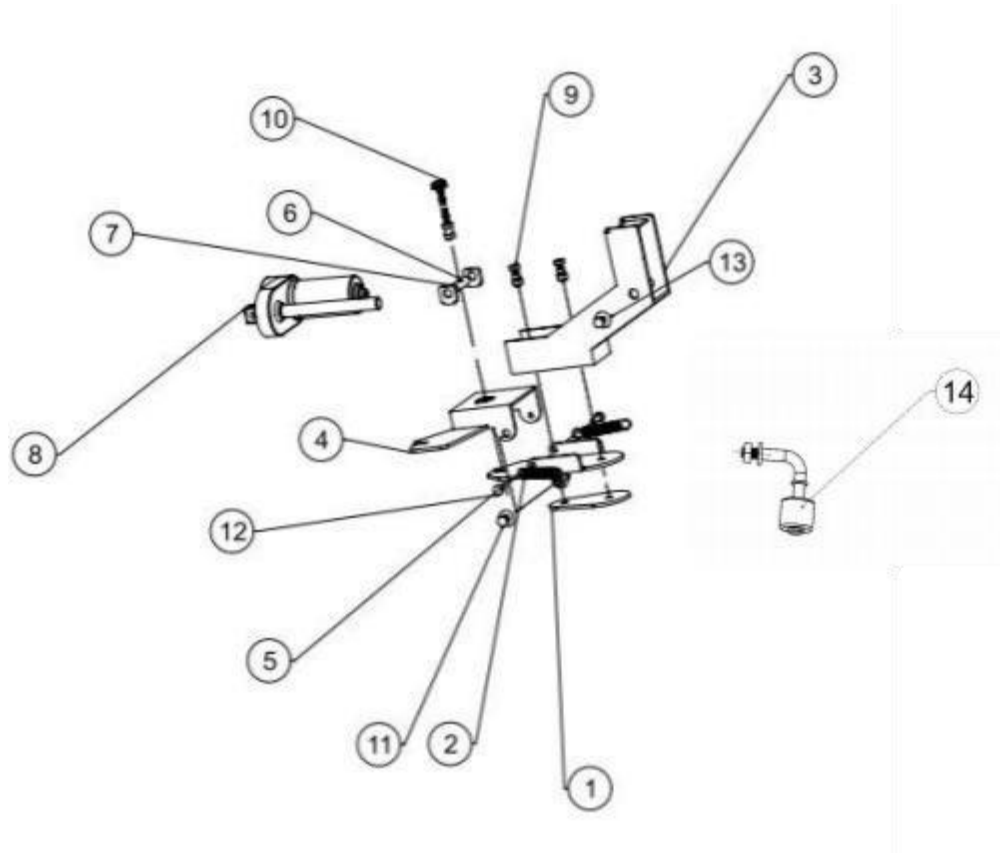


Index	Part No.	Part Name	No.	Applied Date	Remark
1	9402240701	Waste water tank	1		
2	9402240702	Sewage pipes	1		
3	9402240703	hinge	4		
4	9402240704	Upper support plate	1		
5	9402240705	Snap buckle	1		
6	9402240706	Suction pipe	1		
7	9402240707	Lower support plate	1		
8	9402240708	Waste water tank bracket	1		
9	9402240709	Filter cotton	1		
10	9402240710	Round head cross M6x 15	2		
11	9402240711	Round head hexagon M10 x20	14		
12	9402240712	m6x25	2		
13	9402240713	Round head Allen M8x30	2		
14	9402240714	Round head hexagon M8 x25	6		
15	9402240715	m6x20	2		



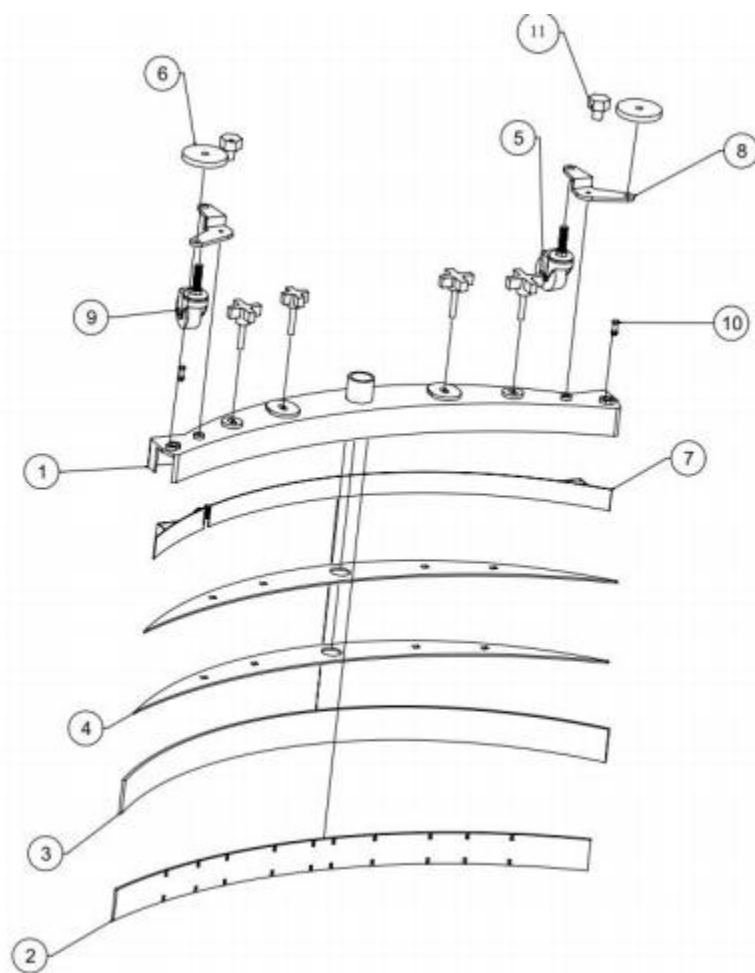
Index	Part No.	Part Name	No.	Applied Date	Remark
1	9402241601	hose	1		
2	9402241602	Waste water tank floor	1		
3	9402241603	Motor mount	1		
4	9402241604	Takeover port	1		
5	9402241605	Water- absorbing motor	1		
6	9402241606	Warning lights	1		
7	9402241607	m6x20	6		
8	9402241608	Round head hexagon M8x20	4		
9	9402241609	Round head cross M4x 15	4		
10	9402241610	Round head hexagon M10x20	4		
11	9402241611	Waste water tank cover	1		
12	9402241612	Rubber sleeve sealing ring	1		

Suction lifting assembly



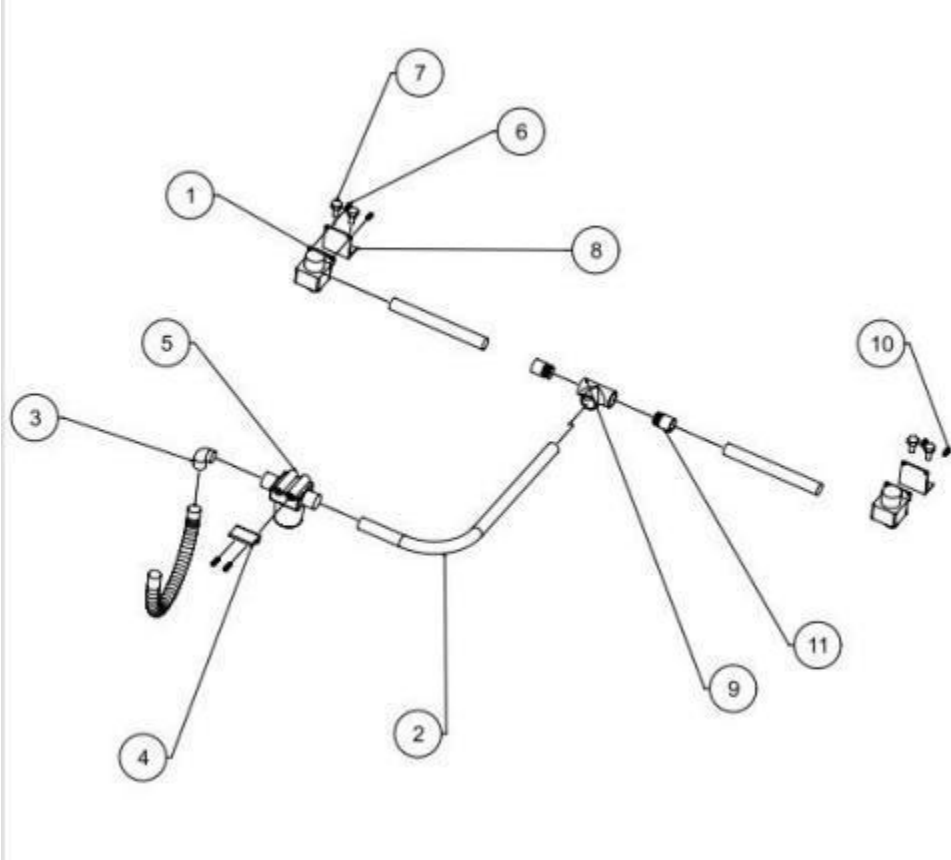
Index	Part No.	Part Name	No.	Applied Date	Remark
1	9402240812	Main frame sub- plate	1		
2	9402240813	spring	2		
3	9402240814	Subrack	1		
4	9402240815	Main frame	1		
5	9402240816	Main frame floor	1		
6	9402240817	casing	1		
7	9402240818	Casing rack	2		
8	9402240819	Pusher motor	1		
9	9402240820	m8x40	2		
10	9402240821	Pentagon nut M8 x90	1		
11	9402240822	m8x35	2		
12	9402240823	m8x30	2		
13	9402240824	m 10x 140	1		
14	9402240825	Buoyancy ball switch	1		

Suction pickpocket assembly



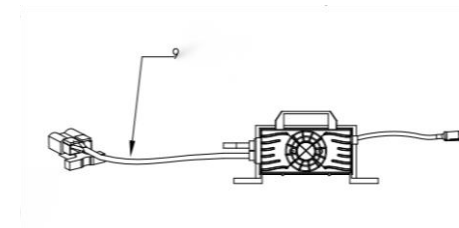
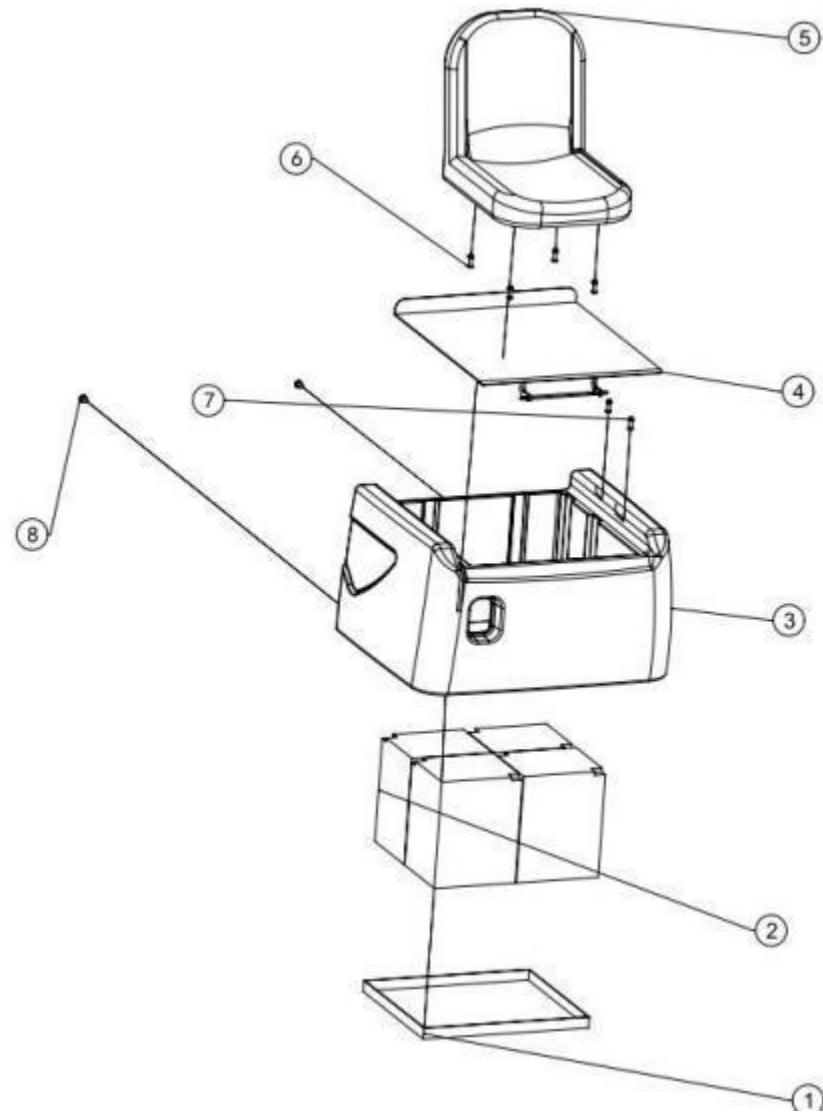
Index	Part No.	Part Name	No.	Applied Date	Remark
1	9402240801	Suction rake main frame	1		
2	9402240802	Front absorbent glue	1		
3	9402240803	Post-absorbent adhesive skin	1		
4	9402240804	Absorbent rake iron sheet attachment	2		
5	9402240805	Phillips nut M8x6 bolt	4		
6	9402240806	Anti-collision wheels	2		
7	9402240807	Absorbent rubber strip	2		
8	9402240808	Suction rake support frame	2		
9	9402240809	Universal wheel	2		
10	9402240810	m8x50	2		
11	9402240811	m6x20	2		

Waterway system



Index	Part No.	Part Name	No.	Applied Date	Remark
1	9402240601	Solenoid valves	1		
2	9402240602	water pipe	4		
3	9402240603	elbow	1		
4	9402240604	bracket	1		
5	9402240605	filter	1		
6	9402240606	m4x 15	2		
7	9402240607	m6x20	4		
8	9402240608	Solenoid valve holder	1		
9	9402240609	tee	1		
10	9402240610	M6x20 , M4x 15 , solenoid valve holder, solenoid valve	1		
11	9402240611	Water pipe fittings	2		

Seat battery box



Index	Part No.	Part Name	No.	Applied Date	Remark
1	9402240716	Battery retention plate	1		
2	9402240717	battery	4		
3	9402240718	Batteries surround the plastic case	1		
4	9402240719	Seat plates	1		
5	9402240720	seat	1		
6	9402240721	m8x20	4		
7	9402240722	m6x20	2		
8	9402240723	Round head hexagon M6x20	2		
9	9402240724	Charge	1		