

PARTS MANUAL



MS50F

Manual Sweeper



Contents

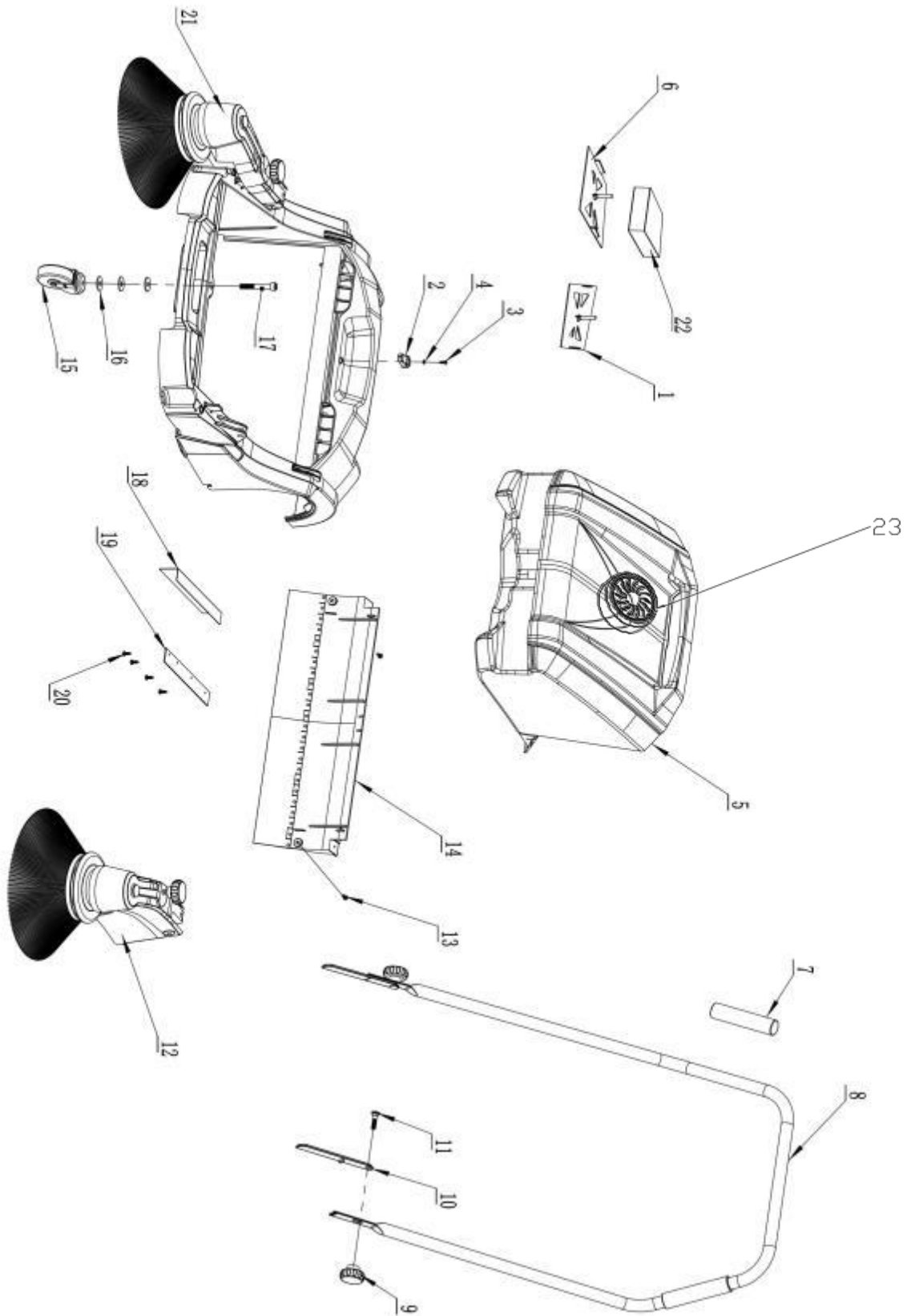
MS5 0 F frame system 3

Wheel assembly 5

Brush assembly..... 7

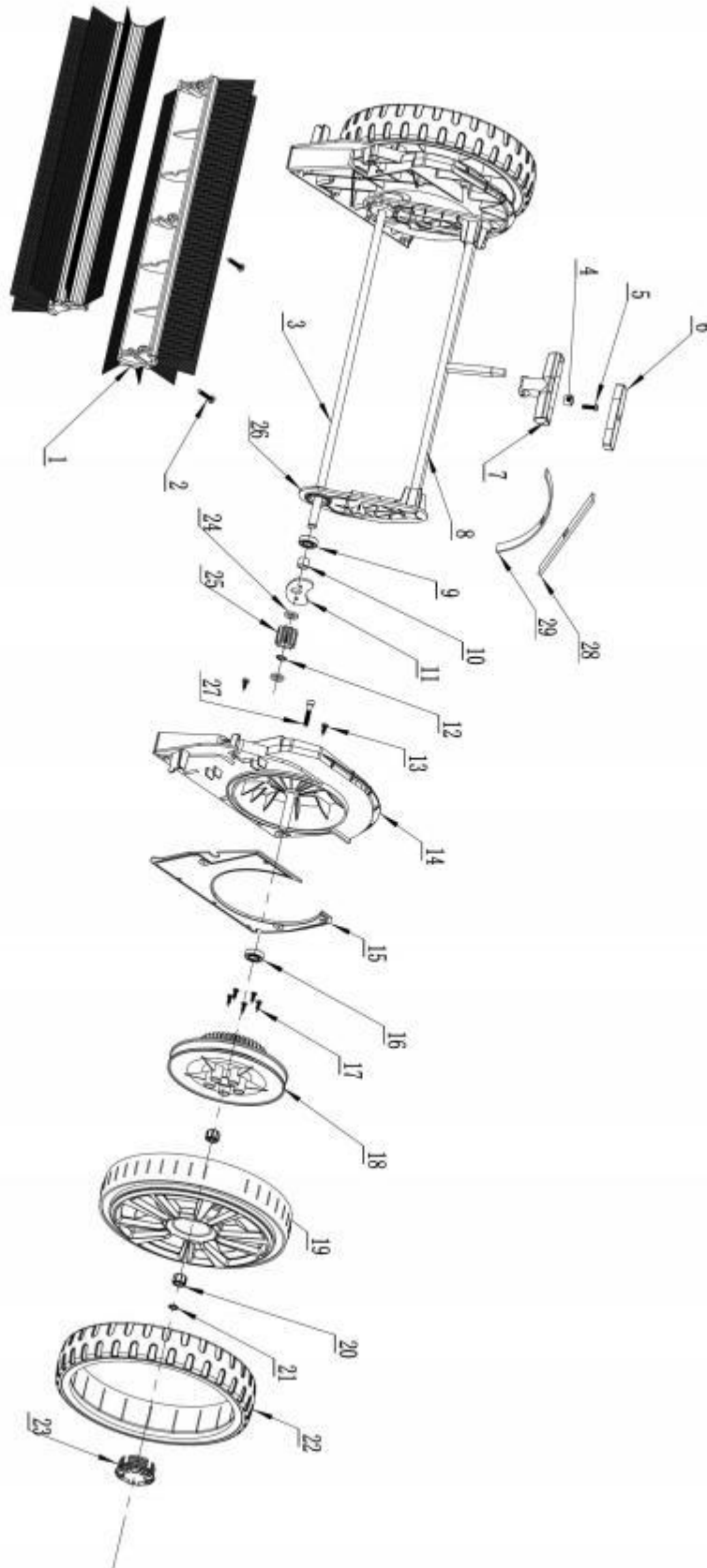
Dust collector.....9

Fig.1 Frame system



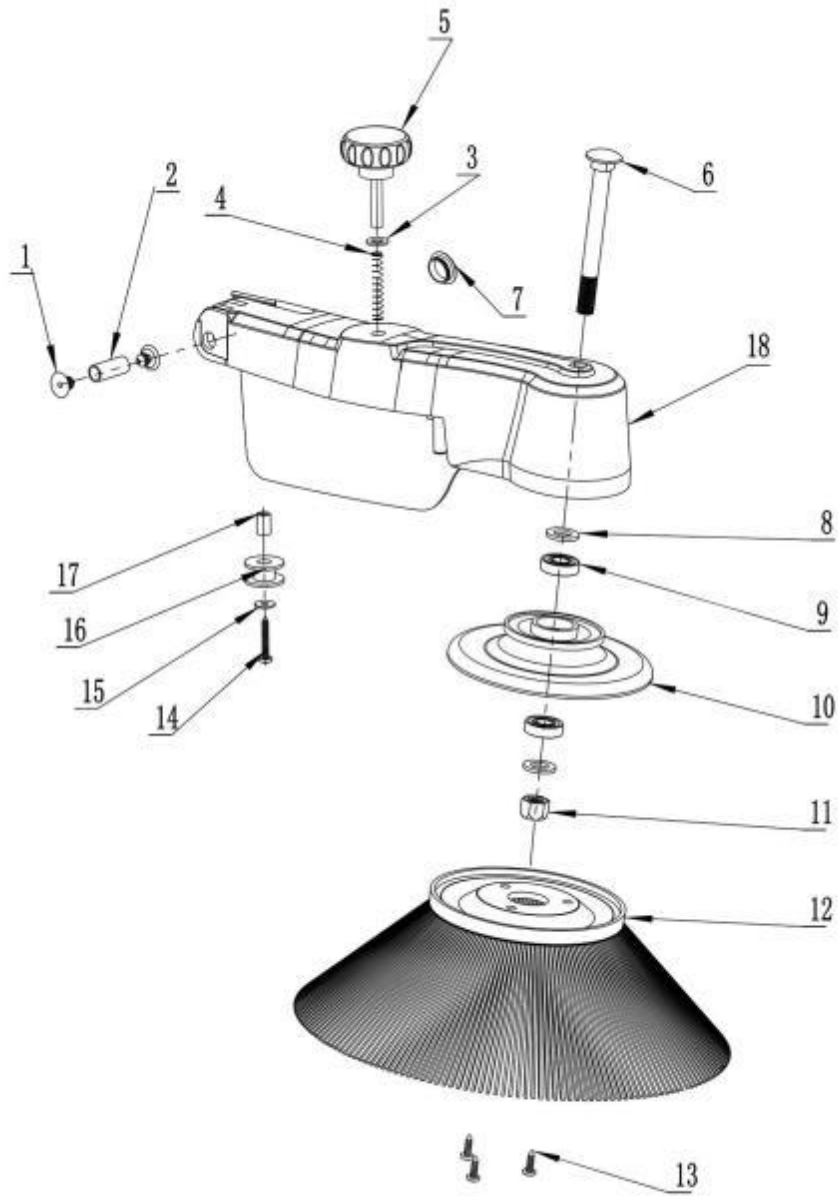
Item	Part No.	Part Name	Qty.	Remarks
1	6301130201	Sponge bracket(L)	1	
2	6301130202	Buckle	1	
3	6301130203	Screw ST4.2*16	1	
4	6301130204	Washer M4	1	
5	6301130500	Dust collector Ass.	1	
6	6301130206	Sponge bracket(R)	1	
7	6301130107	Lever jacket	2	
8	6301130108	Push lever	1	
9	6301130109	Rotary knob	2	
10	6301130110	Metal sheet	2	
11	630113011 1	ScrewM8*25	2	
12	6301130400	Brush Ass. (L)	1	
13	6301130213	ScrewST5*16	2	
14	6301130214	Rear plate	1	
15	6301130215	Caster wheel	1	
16	6301130216	Washer M10	3	
17	6301130217	Screw M10*80	1	
18	6301130218	Rubber strip	2	
19	6301130219	Metal plate	2	
20	6301130220	ScrewST5*16	8	
21	6301131300	Brush Ass. (R)	1	
22	6301131202	Buckle	1	
23	6301130223	Scuttle	1	
24	6301130224	Filter	1	

Fig.2 Wheel assembly



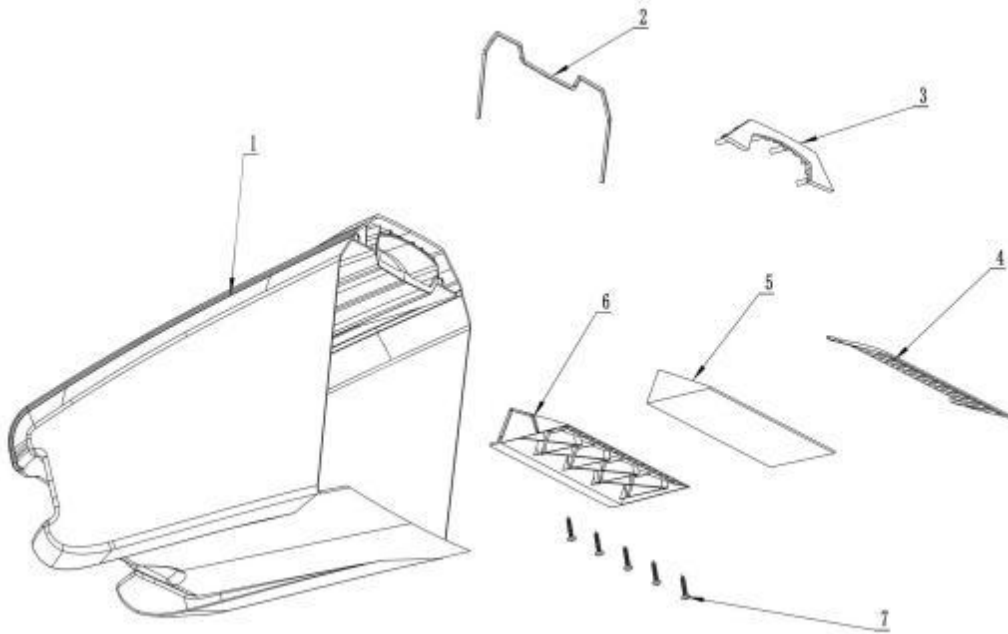
Item	Part No.	Part Name	Qty.	Remarks
1	6301130301	Main brush	2	
2	6301130302	Screw ST5*35	6	
3	6301130303	Axle	1	
4	6301130304	Bush	1	
5	6301130305	ScrewM5*20	1	
6	6301130306	Handle cover	1	
7	6301130307	Handle	1	
8	6301130308	Adjustable lever	1	
9	6301130309	Bearing 6001	2	
10	6301130310	Bearing HLF 1002	2	
11	6301130311	Gasket	2	
12	6301130312	Circlip for shaft M10	2	
13	6301130313	Screw ST5*16	4	
14-1	6301130314-1	Left wheel bracket cover	1	
14-2	6301130314-2	Right wheel bracket cover	1	
15	6301130315	Bracket	2	
16	6301130316	Bearing 6001	2	
17	6301130317	Screw ST5*25	10	
18	6301130318	Belt wheel	2	
19	6301130319	Wheel	2	
20	6301130320	Wear proof bush	4	
21	6301130321	Detent ring	2	
22	6301130322	Tyre	2	
23	6301130323	Wheel cover	2	
24	6301130324	Washer M10	2	
25	6301130325	Gear	2	
26	6301130326	Swing arm(R)	1	
27	6301130327	Rubber gasket	1	
28	6301130328	Adjustable sheet	1	
29	6301130329	Swing arm(L)	1	

Fig.3 Brush assembly



Item	Part No.	Part Name	Qty.	Remarks
1	6301130401	Plug	4	
2	6301130402	Bush	2	
3	6301130403	Washer	2	
4	6301130404	Spring	2	
5	6301130405	Rotary konb	2	
6	6301130406	Screw M10*120	2	
7	6301130407	Plug	2	
8	6301130408	Washer	4	
9	6301130409	Bearing 6001	2	
10	6301130410	Belt wheel	2	
11	6301130411	Lock nut	2	
12	6301130412	Round brush (R)	1	
13	6301130413	ScrewST5*16	6	
14	6301130414	Screw ST5*35	4	
15	6301130415	Washer	4	
16	6301130416	Belt wheel	4	
17	6301130417	Bush	2	
18	6301130418	Round brush bracket(R)	1	
19	6301130419	Round brush bracket(L)	1	
20	6301130420	Round brush (L)	1	

Fig.4 Dust collector



Item	Part No.	Part Name	Qty.	Remarks
1	6301130501	Dust box	1	
2	6301130502	Box sealing	1	
3	6301130503	Box cover	1	
4	6301130504	Dust proof coat	1	
5	6301130505	Fix plate	1	
6	6301130506	Dust box plate	1	
7	6301130507	Screw ST5*16	5	